

FEDERAL PROJECT NOS.	STATE PROJECT NOS.	PARISH	SHEET NO.
PTE15bii	TE-27	TERREBONNE	1

STATE OF LOUISIANA  
DEPARTMENT OF NATURAL RESOURCES  
COASTAL RESTORATION DIVISION

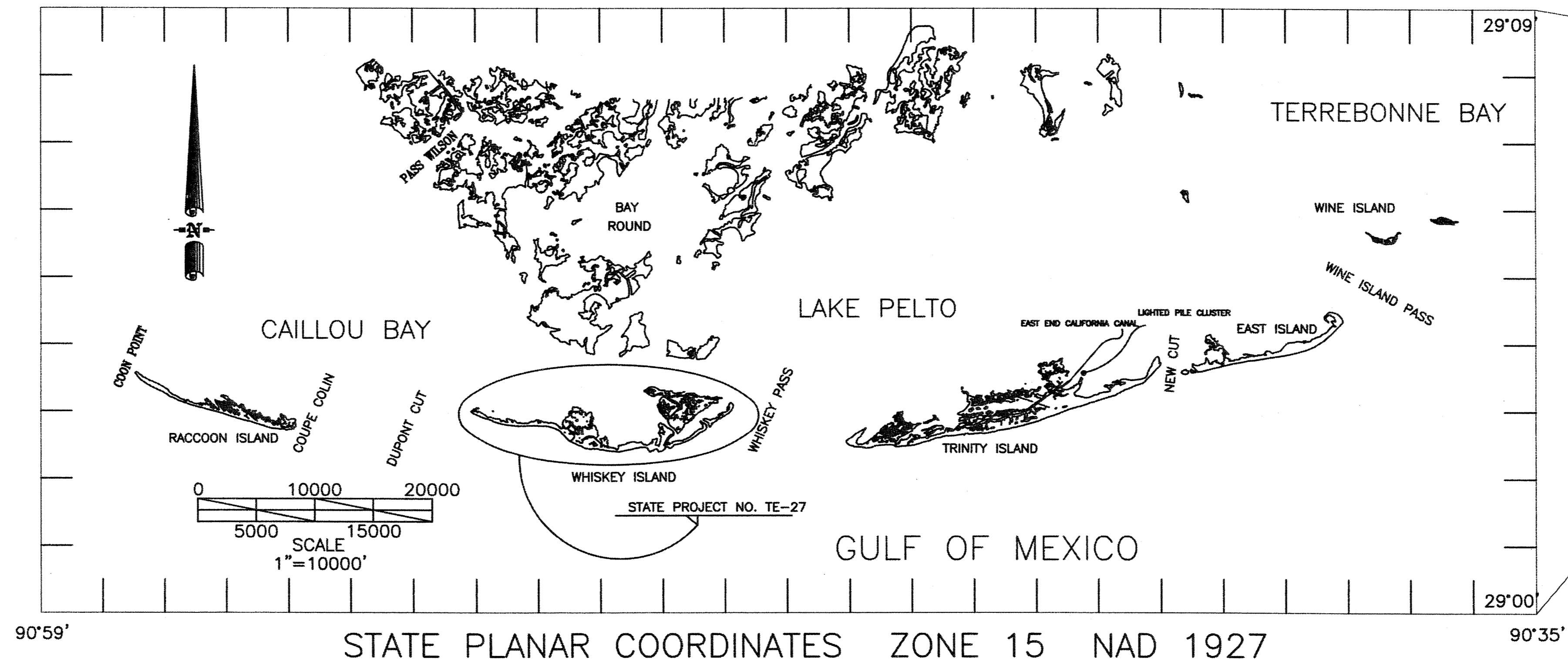
PLANS OF  
ISLE DERNIERES RESTORATION PROJECTS

WHISKEY ISLAND (PHASE 3b)  
STATE PROJECT NO. TE-27  
FEDERAL PROJECT NO. PTE15bii

TERREBONNE PARISH

INDEX TO SHEETS

SHEET NO.	DESCRIPTION
1	TITLE SHEET
2	SUMMARY ESTIMATED QUANTITIES, CIVIL LEGEND, & GENERAL NOTES
3	TOPOGRAPHICAL AERIAL MAP
4	TYPICAL CROSS-SECTIONS
5-7	PROJECT LAYOUT AERIALS
8	SAND SOURCE CONTOUR MAP
9	HYDROGRAPHIC SURVEY CONTOUR MAP
10	WHARF DETAILS
11	OVERFLOW WEIR BOX DETAILS
12-16	BASELINE A CROSS-SECTIONS - COUPE NOUVELLE
17	BASELINE B CROSS-SECTIONS
18	BASELINE C CROSS-SECTIONS
19-24	BASELINE D CROSS-SECTION - BACKBAY



DATUM USED: N.A.V.D.  
MAG.VAR.: N/A  
TRANSIT BOOK(S): PICCIOLA #182 & #183  
BEARINGS ARE TRUE  
AERIALS: 1"=400' & 1"=200'  
DATE: 9/97  
SCALES: HOR. 1"=100'  
VERT. 1"=5'

TYPE OF CONSTRUCTION

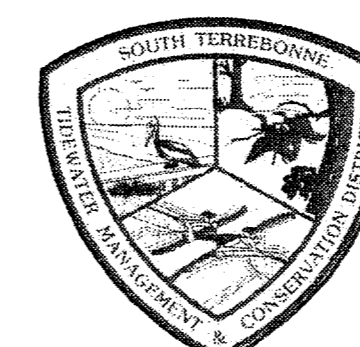
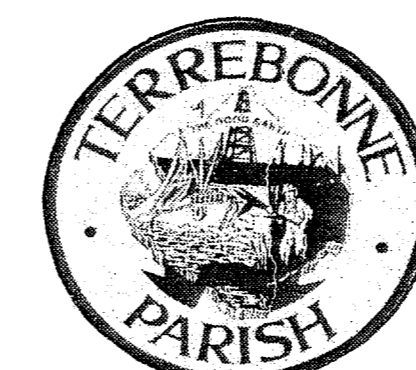
- HYDRAULIC DREDGING
- BUCKET DREDGING
- CONTAINMENT LEVEES/STRUCTURES
- SHAPING DUNE & MARSH PLATFORM
- TREATED TIMBER WHARF

AS-BUILT

VICINITY MAP

Ref: T. Baker Smith & Son, Inc. Construction Drawings "Isle Dernieres Restoration Projects, East Island (Phase 0) and Trinity Island (Phase 1), Terrebonne Parish, LA," Dated 9/97 Sheets 1-48.

Picciola and Associates Survey Drawings "Hydrographic and Topographic Survey, Whiskey Island Restoration Project Part1 (TE-27/PTE15bii), Terrebonne Parish, LA" Dated 8/14/97, Sheets 1-13.



D.N.R. PROJECT MANAGER:

ARTHUR L. LONG, P.E.

DATE

PREPARED BY:

STATE OF LOUISIANA  
DEPARTMENT OF NATURAL RESOURCES

D. BRIAN KENDRICK, P.E.

DATE

T. BAKER SMITH & SON, INC.





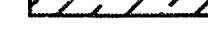
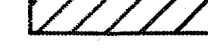









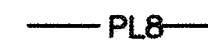

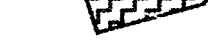







MARC J. ROGERS  
MARC J. ROGERS, SR., P.E.

*Marc J. Rogers* 7/15/98  
DATE

# SUMMARY OF PAY QUANTITIES

ITEM No.	DESCRIPTION	UNIT	QUANTITY
1	MOBILIZATION AND DEMOBILIZATION	LUMP	LUMP
2	TREATED TIMBER WHARF CONSTRUCTION	LUMP	LUMP
3	COUPE NOUVELLE CONTAINMENT DIKE	L.F.	750
4	BREACH CONTAINMENT DIKE	L.F.	1,820
5	BACK BAY CONTAINMENT DIKE	L.F.	6,550
6	HYDRAULIC DREDGING	CU. YDS.	2,850,000
7	GRADING AND SHAPING	LUMP	LUMP

## CIVIL LEGEND

-  EXISTING CONTOUR LINE
-  SLOPE BREAK LINE
-  MARSH PLATFORM
-  DUNE AT +4.0 N.A.V.D.
-  HYDRAULIC FILL (CROSS-SECTIONS)
-  AMWL = ANNUAL MEAN WATER LEVEL (+ 0.5 FT. NAVD)
-  CONTAINMENT DIKES
-  G.P.S. POINT WITH X, Y & Z CONTROL ON SURVEY BASELINE
-  T.B.M., P.O.T., OR PI ON SURVEY TRAVERSE OR BASELINE SET BY ENGINEER, 3/4 INCH G.I.P.
-  POINTS WITH LISTED COORDINATES
-  COORDINATES OF GAS PIPELINES
-  GEOTECHNICAL CORE HOLE
-  PL8 NATURAL GAS OR OIL PIPELINE WITH SIZE IN INCHES.
-  OYSTER LEASE WITH ACREAGE
-  BORROW AREA BOUNDARY
-  60 PERCENTAGE (60%) SAND CONTOUR LINE
-  MARSH OR BEACH
-  DENOTED CROSS-SECTION LOCATIONS
-  0 - 5' SAND SOURCE
-  5' - 10' SAND SOURCE
-  10' - 15' SAND SOURCE
-  BORROW AREA 0-10' (0-5' OVERLAY 5'-10')
-  BORROW AREA 0-15' (0-5' OVERLAP 5'-10' AND 5'-10' OVERLAP 10'-15')
-  BORROW AREA 5'-15' (5'-10' OVERLAP 10'-15'), (0-5' OVERBURDEN < 70% SAND)
-  BORROW AREA 0-5' AND 10'-15' (0-5' OVERLAP 10'-15'), (5'-10' OVERBURDEN < 70% SAND)

## GENERAL NOTES

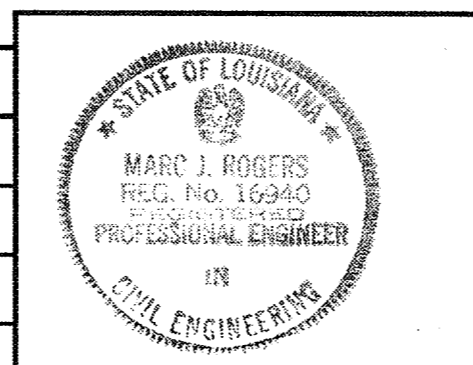
- 1) THE RECOMMENDED BORROW AREAS ARE CROSS-HATCHED ON SHEETS 8 - 11 OF THE DRAWINGS. THE LOCATION OF VIBRACORES TAKEN IN 1987 ARE SHOWN ON SHEET 11. RECENT SAND VERIFICATION CORES TAKEN 1994 AND 1998 ARE ALSO SHOWN ON SHEET 11. LOGS OF THESE VIBRACORES AND SAND VERIFICATION CORES ARE AVAILABLE UPON REQUEST. BASED ON THE INFORMATION GIVEN IN THESE DRAWINGS THE CONTRACTOR SHALL DEVELOP A DREDGING PLAN TO BE APPROVED BY THE DNR ENGINEER. IN NO CASE HOWEVER SHALL THE CONTRACTOR DREDGE DEEPER THAN 15 FEET BELOW THE EXISTING BOTTOM WITHOUT PRIOR WRITTEN AUTHORIZATION FROM THE DNR ENGINEER OR DNR PROJECT MANAGER.
- 2) THE CONTRACTOR SHALL BE RESPONSIBLE FOR NAVIGATING WITHIN THE LIMITS OF THE DREDGE PLAN AREA. THE ENGINEERS PROJECT REPRESENTATIVE SHALL MONITOR THE LOCATION DURING CONSTRUCTION.
- 3) THE CONTRACTOR SHALL BE RESPONSIBLE FOR NOTIFYING PIPELINE OPERATORS 48 HOURS IN ADVANCE OF THE WORK. ALL PIPELINES SHALL BE MARKED WITH BUOYS BY THE CONTRACTOR WITH ASSISTANCE FROM THE PIPELINE OPERATOR. THE CONTRACTOR SHALL MAINTAIN BUOYS DURING CONSTRUCTION OR HAVE ADEQUATE NAVIGATIONAL EQUIPMENT ON THE DREDGE TO AVOID DREDGING IN RESTRICTED AREAS. THE FOLLOWING IS A LIST OF PIPELINE OPERATORS KNOWN TO HAVE PIPELINES IN THE VICINITY. THE CONTRACTOR SHALL USE DOTTIE TO DETERMINE WHETHER THERE ARE OTHERS. DO NOT DREDGE WITHIN 100' OF A PIPELINE.

OPERATOR	SIZE	PHONE	CONTACT PERSON	ADDRESS
TENNESSEE GAS PIPELINE	26"	(504) 879-3516	H.S. MILLS	224 AVIATION RD.
TENNESSEE GAS PIPELINE	36"	(504) 879-3516	H.S. MILLS	224 AVIATION RD.
TEXAS GAS TRANSMISSION	8" & 2"	(504) 831-0186	RAYMOND BREAUX	BOX 299 AMELIA, LA.
BOIS D'ARC/EAGLE CONSULTING	6"	(504) 631-3278	JAMES CHAFIN	BOX 516 GIBSON, LA.
- 4) OYSTER LEASES ARE IN THE VICINITY OF THE WORK. THE CONTRACTOR SHALL NOT DREDGE OR DISTURB BOTTOM WITHIN THE LIMIT OF OYSTER LEASES SHOWN ON THE DRAWING AND NOT DIRECTLY AFFECTED BY THE WORK. LEASES ARE LISTED BELOW.

LEASE NO.	LESEE	PHONE	CONTACT PERSON	STATUS	LEASE NO.	LESEE	PHONE	CONTACT PERSON	STATUS
L-24467	M.P. MARIE	-	M.P. MARIE	EXPIRED	L-31063-66	TIDELAND SEAFOOD	(504) 594-5615	-	ACTIVE
L-27249	WILLARD THIBODEAUX	(504) 594-5615	WILLARD THIBODEAUX	ACTIVE	L-31917-24	TIDELAND SEAFOOD	(504) 594-5615	-	ACTIVE
L-27199	TIDELAND SEAFOOD	(504) 563-4516	-	ACTIVE	L-34900	TIDELAND SEAFOOD	(504) 563-4516	-	ACTIVE
L-27202	TIDELAND SEAFOOD	(504) 563-4516	-	ACTIVE	L-34196	P.B.S. INC.	-	-	ACTIVE
L-27203	TIDELAND SEAFOOD	(504) 563-4516	-	ACTIVE	L-34382	P.B.S. INC.	-	-	ACTIVE
L-27206	TIDELAND SEAFOOD	(504) 563-4516	-	ACTIVE	L-34561	JUDITH GIBSON	-	-	ACTIVE
L-27210	TIDELAND SEAFOOD	(504) 563-4516	-	ACTIVE					
L-31060	TIDELAND SEAFOOD	(504) 563-4516	-	ACTIVE					
- 5) SAND SOURCE INFORMATION TAKEN FROM A 1987 SURVEY DONE BY OCEAN SURVEYS, INC. FURNISHED BY LOUISIANA DEPARTMENT OF NATURAL RESOURCES.
- 6) VOLUMES SHOWN ARE FOR BIDDING PURPOSES ONLY AND WERE CALCULATED ACCORDING TO CONDITIONS SURVEYED IN JUNE 1997. BEFORE AND AFTER DREDGING, CROSS-SECTIONS WILL BE SURVEYED BY THE CONTRACTOR FOR MEASUREMENT AND PAYMENT PURPOSES. ALL SURVEY WORK PERFORMED BY CONTRACTOR FOR MEASUREMENT AND PAYMENT WILL BE MONITORED BY THE ENGINEER. THE ENGINEER SHALL REVIEW ALL BEFORE AND AFTER SURVEY CROSS-SECTIONS AND MEASUREMENTS AND PAYMENT CALCULATIONS. IF A DISCREPANCY CANNOT BE RESOLVED THE ENGINEER SHALL PERFORM A CROSS-SECTION SURVEY TO VERIFY THE CONTRACTORS WORK.
- 7) WHISKEY ISLAND IS A WILDLIFE REFUGE UNDER THE JURISDICTION OF THE LOUISIANA DEPT. OF WILDLIFE AND FISHERIES FUR AND REFUGE DIVISION. WORK IS PERMITTED ON THE ISLAND DURING BIRD NESTING SEASON WHICH OCCURS BETWEEN MARCH AND SEPTEMBER. ACCESS TO THE ISLAND IS LIMITED TO THE PROJECT BOUNDARIES DURING CONSTRUCTION. CONTACT LDWF/FRD AT (318) 373-0032 FOR SPECIAL ACCESS PERMISSION.

Ref: T. Baker Smith and Sons "Plans of Proposed Isle Dernieres Restoration Projects East Island (Phase 0) Trinity Island (Phase 1)" Dated August, 97, Sheets 1 Through 48.

DATE	REVISIONS	APPROVED
09/10/98	As-built drawings	MJR



DRAWN BY: HJT/IDP  
APPROVED BY: DEK/ALL  
DATE: 10/7/97  
SCALE: AS SHOWN

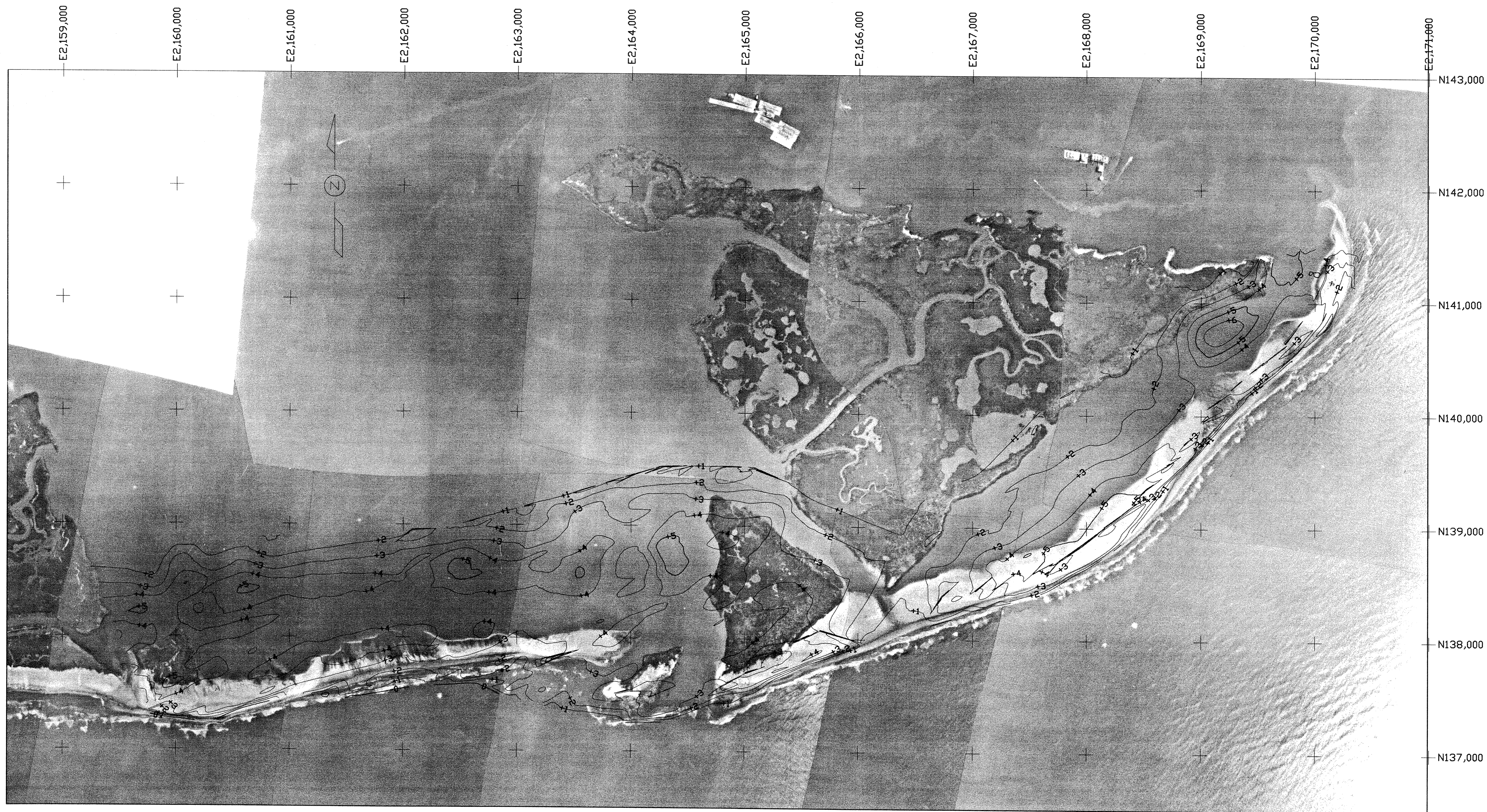
STATE OF LOUISIANA  
DEPARTMENT OF NATURAL RESOURCES  
COASTAL RESTORATION DIVISION  
NICHOLLS STATE UNIVERSITY  
P.O. BOX 2071  
THIBODAUX, LOUISIANA 70310



AS-BUILT

WHISKEY ISLAND RESTORATION  
PROJECT - PHASE 3b  
TE-27 / PTE15bii  
SUMMARY OF ESTIMATED QUANTITIES,  
CIVIL LEGEND, AND GENERAL NOTES

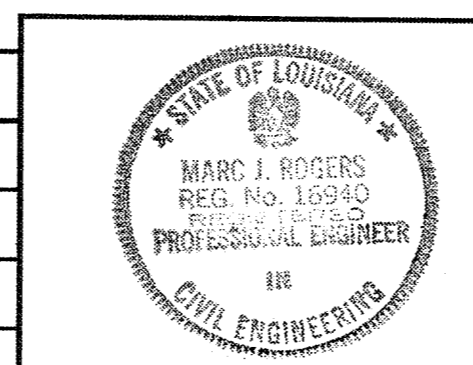
FEDERAL PROJECT NO.	STATE PROJECT NOS.	PARISH	SHEET NO.
PTE15bii	TE-27	TERREBONNE	8



Ref: Picciola and Associates Survey Drawings "Hydrographic and Topographic Survey, Whiskey Island Restoration Project Part1 (TE-27/PTE15bii), Terrebonne Parish, LA" Dated 8/14/97, Sheets 1-13.

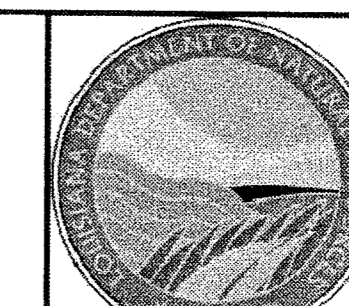
Topographic surveys shown done by T. Baker Smith & Son, Inc. 6/98.

DATE	REVISIONS	APPROVED
09/10/98	As-built drawings	MJR



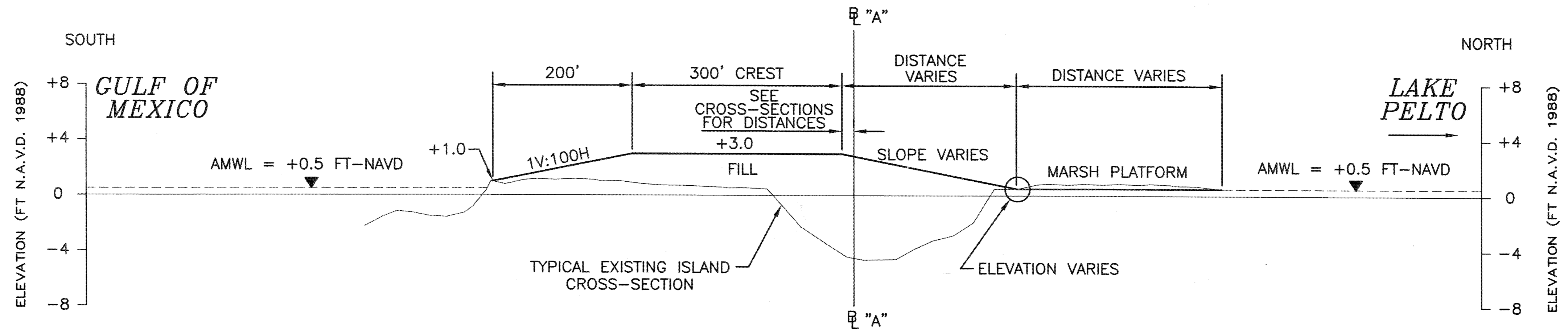
DRAWN BY: HJT/ZDF  
 APPROVED BY: DBK/ALL  
 DATE: 9/15/97  
 SCALE: 1" = 400'

STATE OF LOUISIANA  
 DEPARTMENT OF NATURAL RESOURCES  
 COASTAL RESTORATION DIVISION  
 NICHOLLS STATE UNIVERSITY  
 P.O. BOX 2079  
 THIBODAUX, LOUISIANA 70310

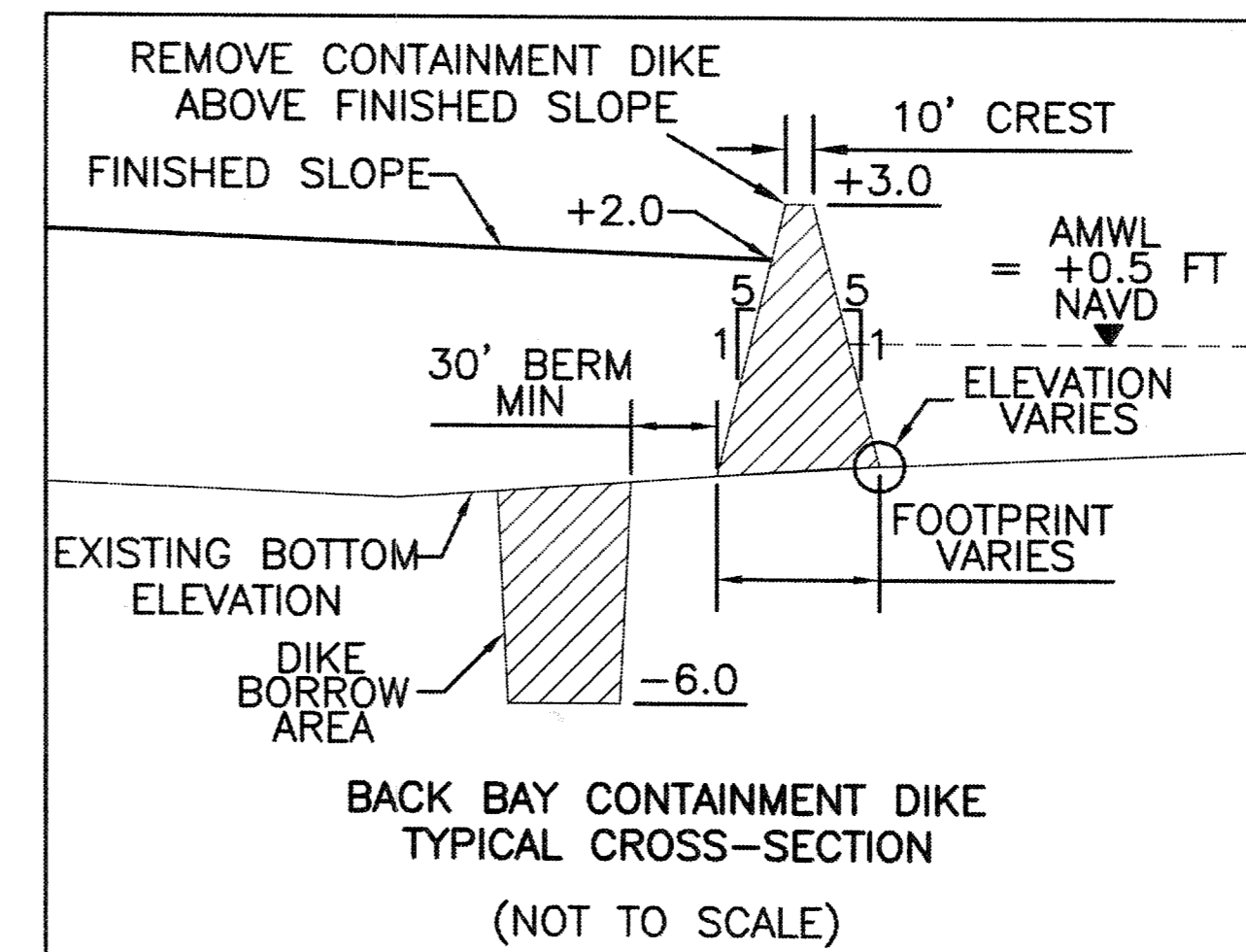
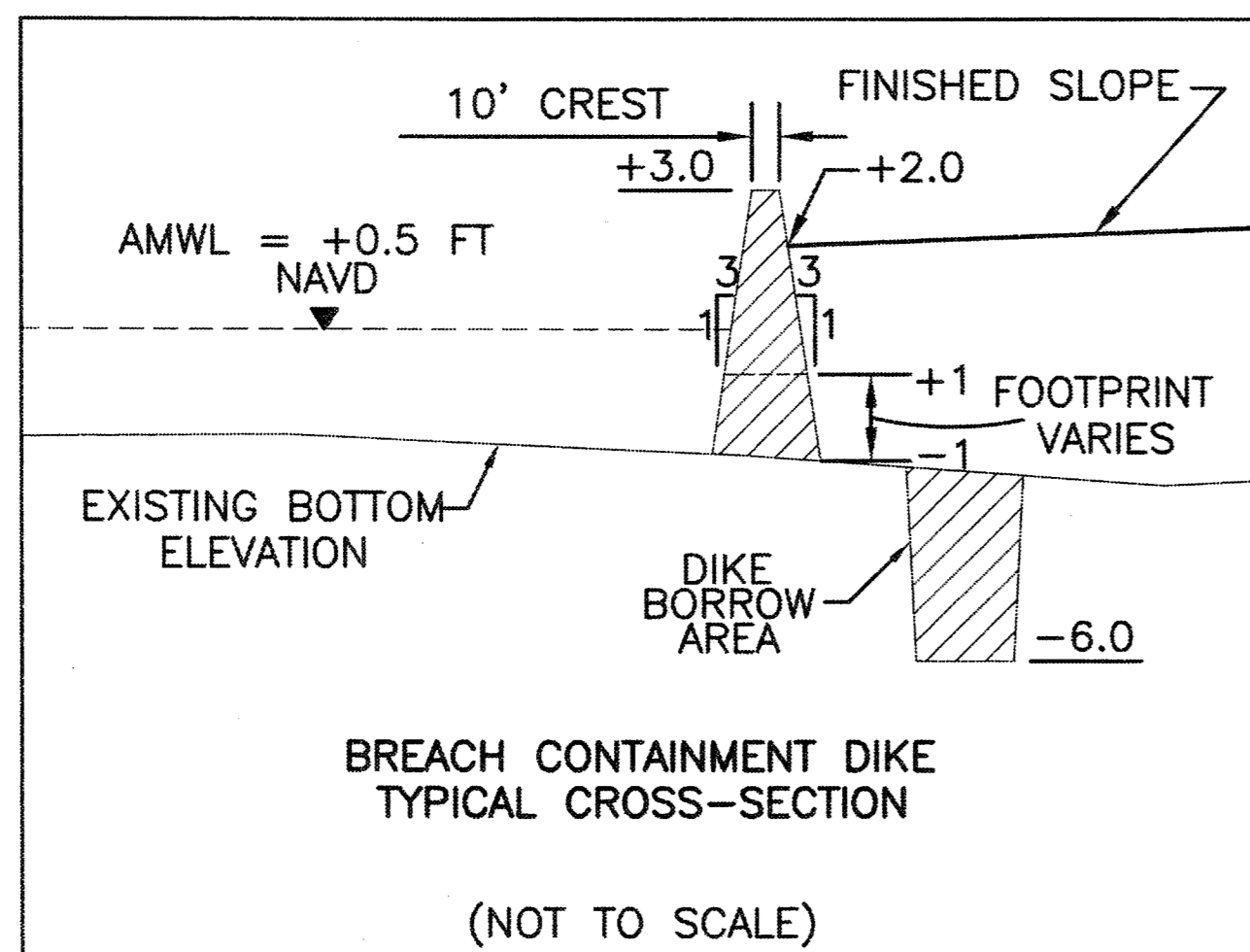
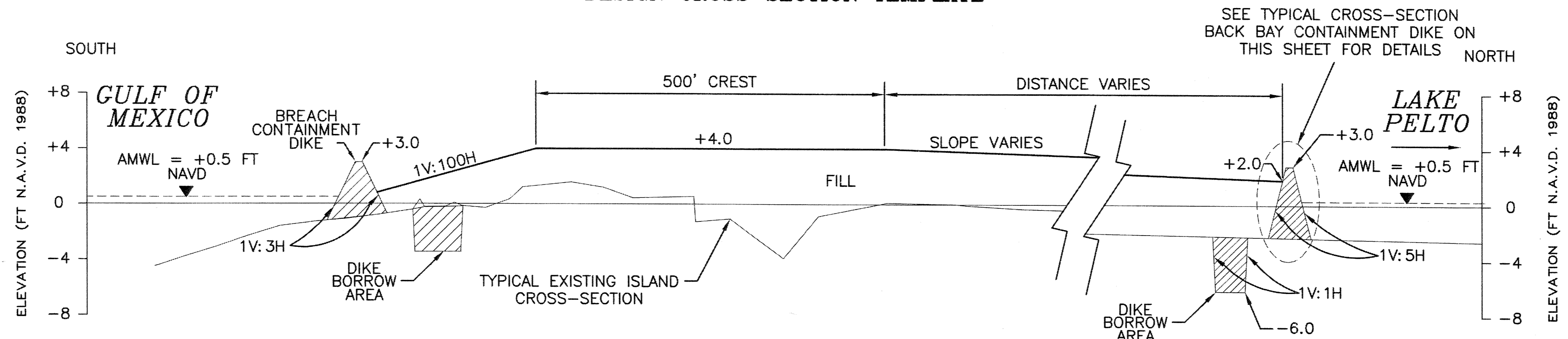


AS-BUILT  
 WHISKEY ISLAND RESTORATION  
 PROJECT - PHASE 1  
 TE-27 / PTE15bii  
 PROJECT AREA  
 TOPOGRAPHIC SURVEY

**COUPE NOUVELLE CONTAINMENT AREA  
DESIGN CROSS-SECTION TEMPLATE**

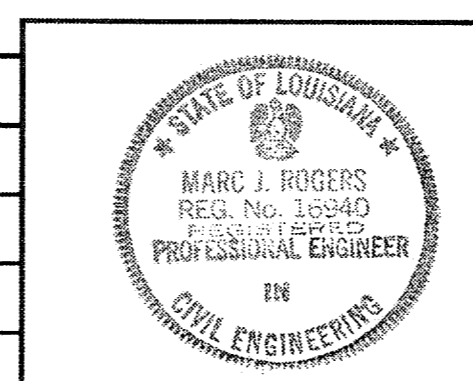


**BACK BAY AND BREACH CONTAINMENT AREA  
DESIGN CROSS-SECTION TEMPLATE**



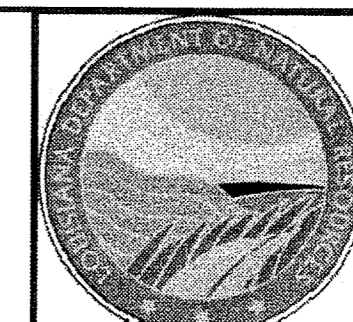
Ref: Picciola and Associates Survey Drawings "Hydrographic and Topographic Survey, Whiskey Island Restoration Project Part1 (TE-27/PTE15bi), Terrebonne Parish, LA" Dated 8/14/97, Sheets 1-13.

DATE	REVISIONS	APPROVED
09/10/98	As-built drawings	MJR



DRAWN BY: HJT/JDF  
 APPROVED BY: DEK/ALL  
 DATE: 9/16/97  
 SCALE: HORIZ. 1" = 100'  
 VERT. 1" = 5'

STATE OF LOUISIANA  
 DEPARTMENT OF NATURAL RESOURCES  
 COASTAL RESTORATION DIVISION  
 NICHOLLS STATE UNIVERSITY  
 P.O. BOX 2079  
 THIBODAUX, LOUISIANA 70310



AS-BUILT  
 WHISKEY ISLAND RESTORATION  
 PROJECT - PHASE 1  
 TE-27 / PTE15bi  
 TYPICAL CROSS-SECTIONS &  
 EROSION PROTECTION DETAILS



POINT	X-COOR	Y-COOR
6	2162319	138205
7	2163298	138260
8	2164176	137933
9	2164627	137990
10	2165276	138174
11	2165559	138299
12	2162405	138807
13	2164297	139462
14	2165510	139500

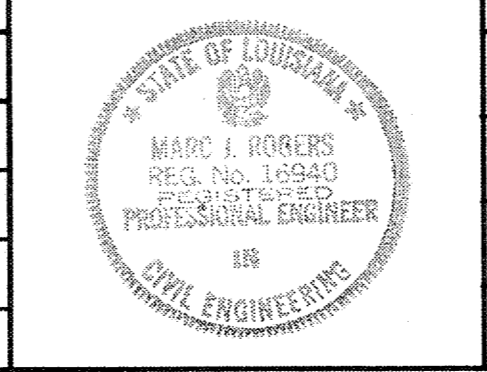


SCALE: 1" = 200'

AS-BUILT

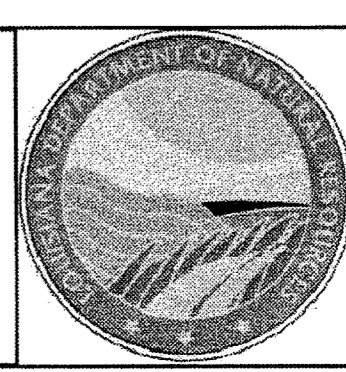
Ref: Picciola and Associates Survey Drawings "Hydrographic and Topographic Survey, Whiskey Island Restoration Project Part1 (TE-27/PTE15bii), Terrebonne Parish, LA" Dated 8/14/97, Sheets 1-13.  
Topographic surveys shown done by T. Baker Smith & Son, Inc. on 6/98.

DATE	REVISIONS	APPROVED
09/10/98	As-built drawings	MJR



DRAWN BY: HJT/JDF  
APPROVED BY: DBK/ALL  
DATE: 10/7/97  
SCALE: 1" = 200'

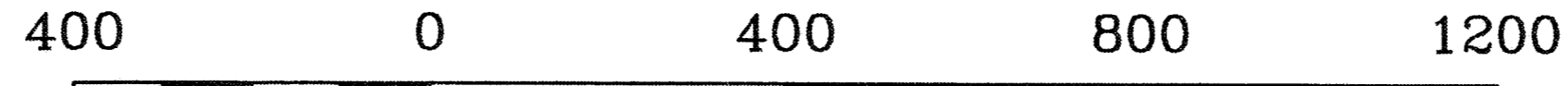
STATE OF LOUISIANA  
DEPARTMENT OF NATURAL RESOURCES  
COASTAL RESTORATION DIVISION  
NICHOLLS STATE UNIVERSITY  
P.O. BOX 2079  
THIBODAUX, LOUISIANA 70310



WHISKEY ISLAND RESTORATION  
PROJECT - PHASE 3b  
TE-27 / PTE15bii  
PROJECT LAYOUT AERIAL



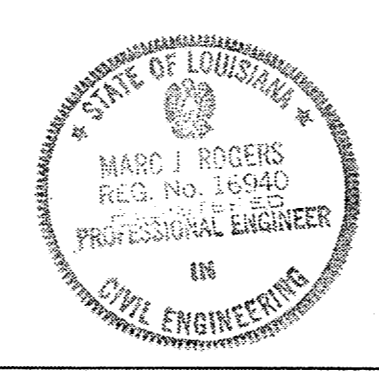
POINT	X-COOR	Y-COOR
15	2167722	138883
16	2168309	139315
17	2169037	140221
18	2169833	140937
19	2169937	141287
20	2170216	141687
21	2169573	141413
WI-2	2165588	139158



SCALE: 1" = 200'

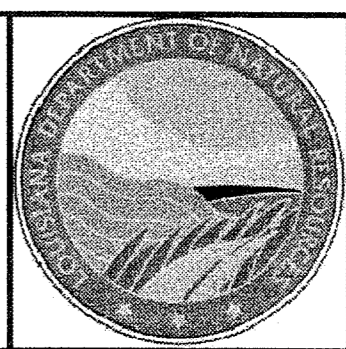
Ref: Picciola and Associates Survey Drawings "Hydrographic and Topographic Survey, Whiskey Island Restoration Project Part1 (TE-27/PTE15bii), Terrebonne Parish, LA" Dated 8/14/97, Sheets 1-13.  
Topographic surveys shown done by T. Baker Smith & Son, Inc. on 6/98.

DATE	REVISIONS	APPROVED
09/10/98	As-built drawigs	MJR



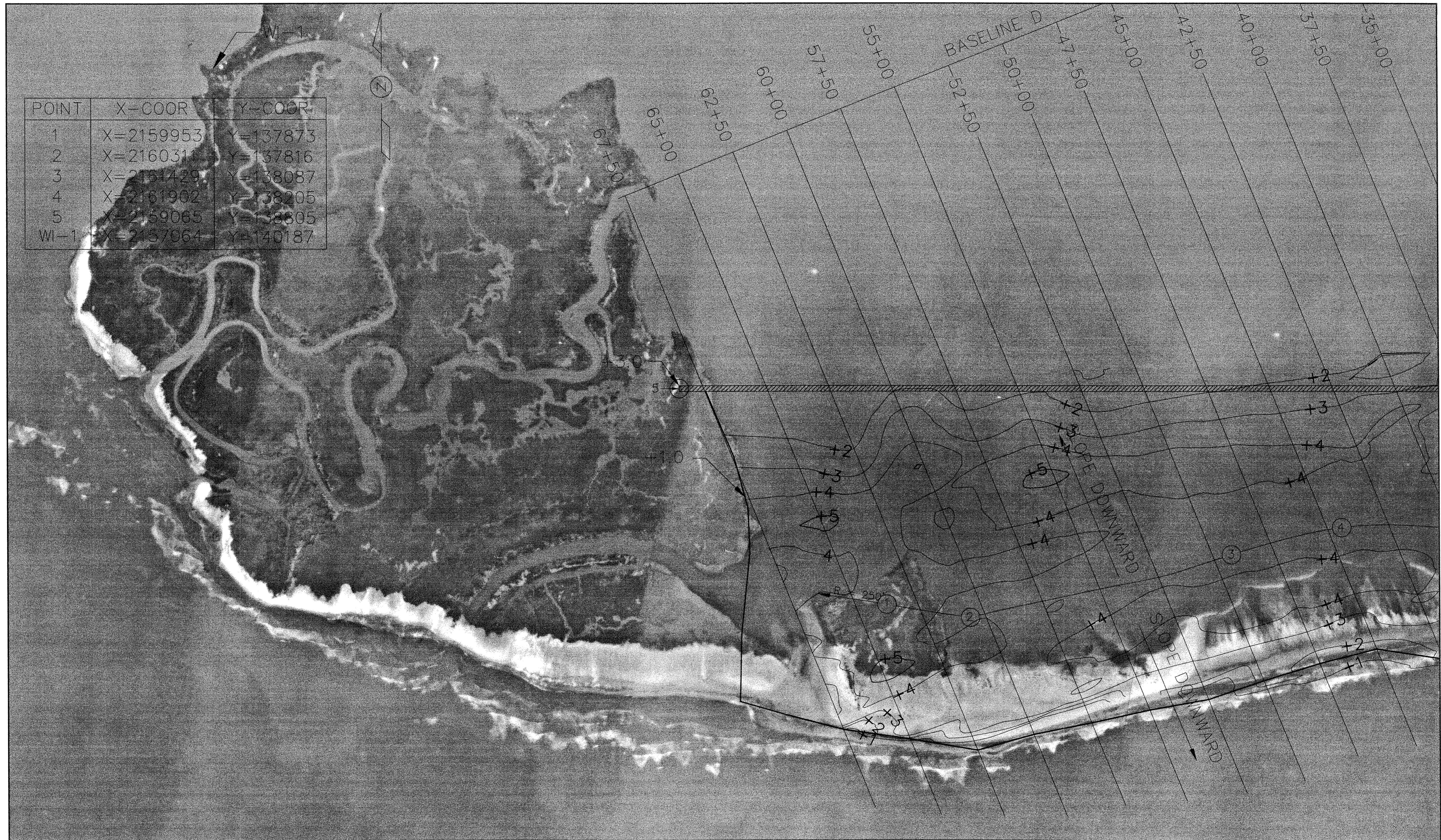
DRAWN BY: HJT/JDF  
APPROVED BY: DBK/ALL  
DATE: 10/7/97  
SCALE: 1" = 200'

STATE OF LOUISIANA  
DEPARTMENT OF NATURAL RESOURCES  
COASTAL RESTORATION DIVISION  
NICHOLLS STATE UNIVERSITY  
P.O. BOX 2079  
THIBODAUX, LOUISIANA 70310



WHISKEY ISLAND RESTORATION PROJECT - PHASE 3b  
TE-27 / PTE15bii  
PROJECT LAYOUT AERIAL

AS-BUILT



POINT	X-COOR	Y-COOR
1	X=2159953	Y=137873
2	X=2160311	Y=137816
3	X=2161429	Y=138087
4	X=2161902	Y=138205
5	X=2159065	Y=138805
WI-1	X=2157064	Y=140187

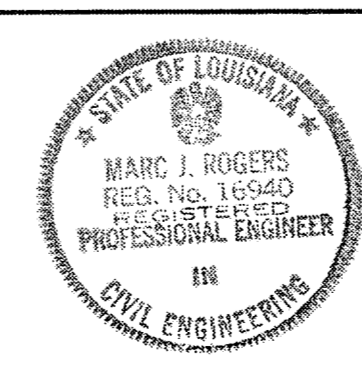
400 0 400 800 1200

SCALE: 1" = 200'

Ref: Picciola and Associates Survey Drawings "Hydrographic and Topographic Survey, Whiskey Island Restoration Project Part1 (TE-27/PTE15bii), Terrebonne Parish, LA" Dated 8/14/97, Sheets 1-13.

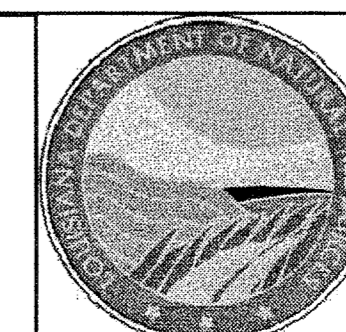
Topographic survey shown done by T. Baker Smith & Son, Inc. on 6/98.

DATE	REVISIONS	APPROVED
09/10/98	As-built drawings	MJR



DRAWN BY: HJT/JDF  
 APPROVED BY: DBK/ALL  
 DATE: 10/7/97  
 SCALE: 1" = 200'

STATE OF LOUISIANA  
 DEPARTMENT OF NATURAL RESOURCES  
 COASTAL RESTORATION DIVISION  
 NICHOLLS STATE UNIVERSITY  
 P.O. BOX 2079  
 THIBODAUX, LOUISIANA 70310



AS-BUILT  
 WHISKEY ISLAND RESTORATION  
 PROJECT - PHASE 3b  
 TE-27 / PTE15bii  
 PROJECT LAYOUT AERIAL

**0-5', 5-10' & 10-15' OVERLAY SAND SOURCE F1 COORDINATES**

POINT	X	Y
1	2175005.39	139315.77
2	2175004.86	139504.06
3	2175290.39	139824.80
4	2175960.23	140146.85
5	2176345.40	140487.35
6	2176958.64	140645.41
7	2177185.23	140533.50
8	2177749.03	139315.77

**0-5', 5-10' & 10-15' OVERLAY SAND SOURCE F2 COORDINATES**

POINT	X	Y
9	2178813.10	139315.77
10	2178903.41	139855.71
11	2178892.15	140388.04
12	2179139.22	141286.50
13	2181048.63	142586.63
14	2180591.06	141377.21
15	2179984.93	139315.77

**0-5', 5-10' & 10-15' OVERLAY SAND SOURCE F3 COORDINATES**

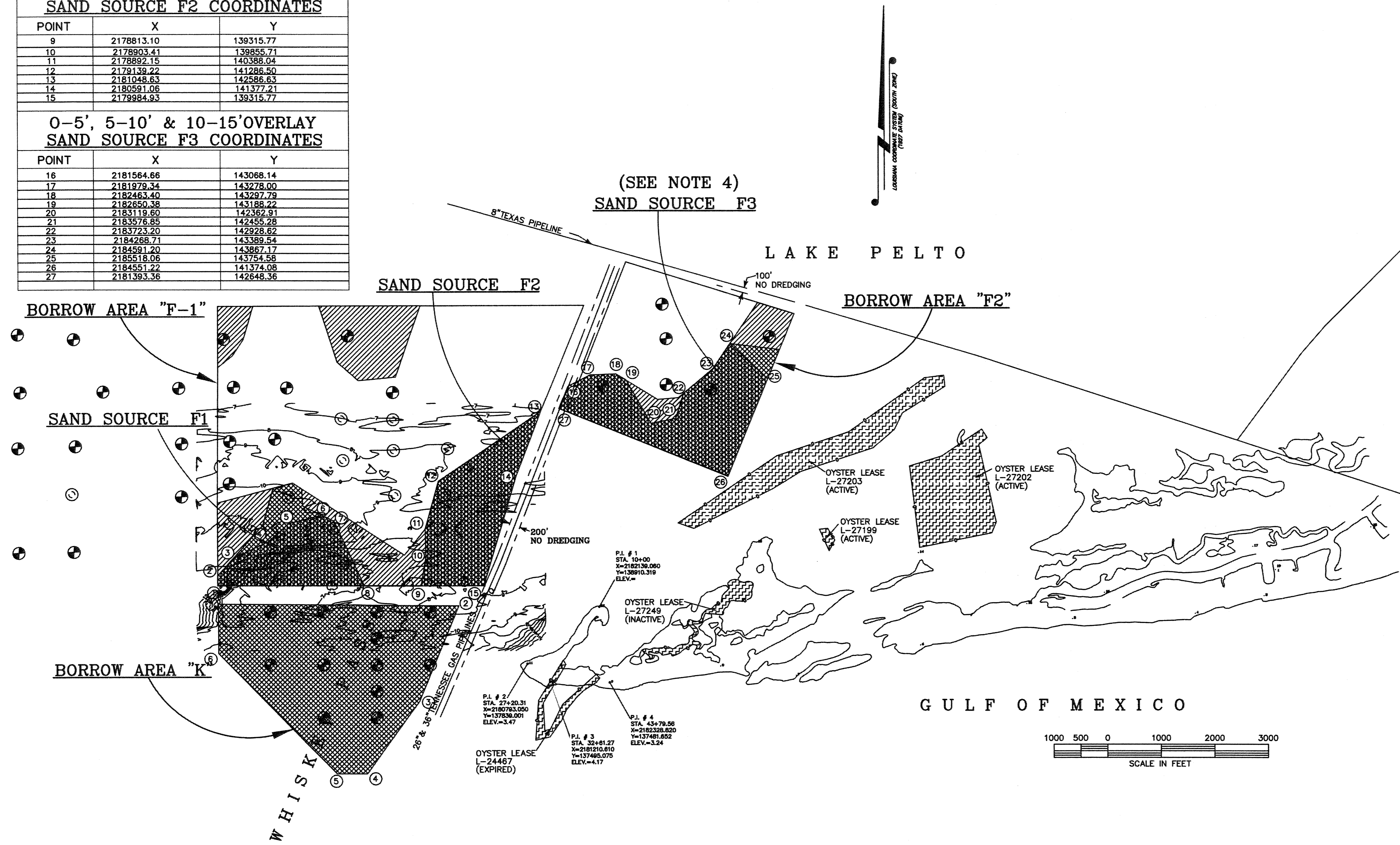
POINT	X	Y
16	2181564.66	143068.14
17	2181979.34	143278.00
18	2182463.40	143297.79
19	2182850.38	143188.72
20	2183119.60	142362.91
21	2183576.85	142455.28
22	2183723.20	142928.62
23	2184268.71	143389.54
24	2184591.20	143867.17
25	2185518.06	143754.58
26	2184551.22	141374.08
27	2181393.36	142648.36

**0-5', 5-10' & 10-15' OVERLAY SAND SOURCE K COORDINATES**

POINT	X	Y
1	2175005.39	138963.43
2	2179518.84	138934.43
3	2179782.27	137123.72
4	2177789.98	135755.87
5	2177228.88	135755.87
6	2175228.88	138032.59

**0-5', 5-10' & 10-15' OVERLAY SAND SOURCE**

	> 70% AREA (SQ. FT.)	> 70% VOLUME (CU. YDS.)
F1	2,332,877	1,296,043
F2	3,550,943	1,972,746
F3	4,129,030	2,293,905
K	9,533,260	5,296,256
TOTAL:	19,546,110	



**NOTES:**

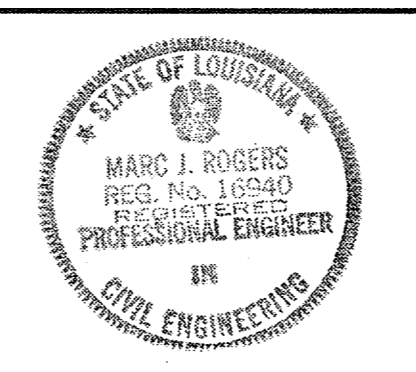
- SAND CONTOUR INFORMATION SHOWN ON THIS DRAWING PROVIDED BY LOUISIANA DEPARTMENT OF NATURAL RESOURCES.
- CONTOURS SHOWN ARE PERCENTAGES OF SAND BY VOLUME.
- CONTRACTOR TO VERIFY AND MARK LOCATION OF PIPELINES AND OYSTER LEASES BEFORE DREDGING.
- CONTRACTOR MAY NOT USE THIS BORROW AREA UNLESS AUTHORIZED IN WRITING BY DNR PROJECT MANAGER.
- DEPTH CONTOURS SHOWN ARE BEFORE DREDGING.

**LEGEND:**

- 0 - 5'
- 5' - 10'
- 10' - 15'
- CORE HOLE LOCATION
- OVERLAPPING STATION (0-5, 5-10, & 10-15)
- OVERLAPPING STATION (0-5 & 5-10)
- OVERLAPPING STATION (5-10 & 10-15)
- OVERLAPPING STATION (0-5 & 10-15)

Ref: Hydrologic survey shown done by T. Baker Smith & Son, Inc. on 7/98

DATE	REVISIONS	APPROVED
09/10/98	As-built Drawings	MJR



DRAWN BY: HJT/JDF  
 APPROVED BY: DBK/ALL  
 DATE: 10/7/97  
 SCALE: 1" = 1000'

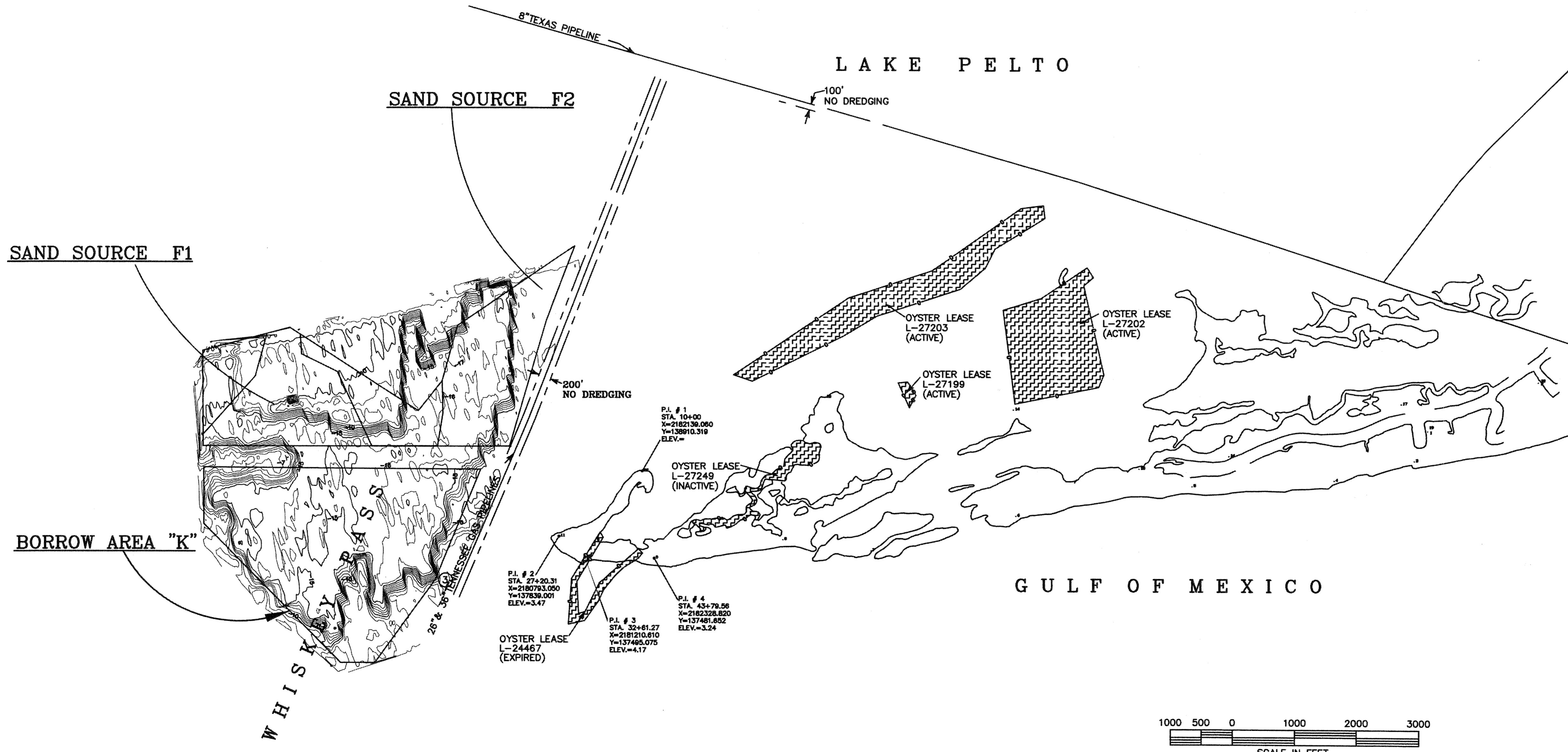
STATE OF LOUISIANA  
 DEPARTMENT OF NATURAL RESOURCES  
 COASTAL RESTORATION DIVISION  
 NICHOLLS STATE UNIVERSITY  
 P.O. BOX 2079  
 THIBODAUX, LOUISIANA 70310



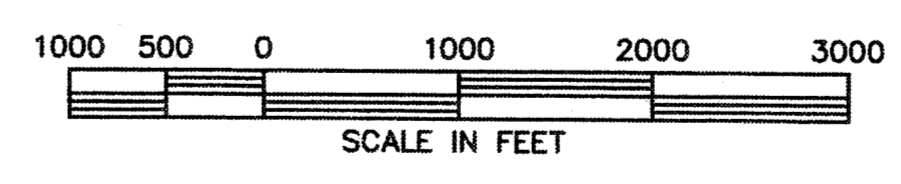
AS-BUILT  
 WHISKEY ISLAND RESTORATION  
 PROJECT - PHASE 3b  
 TE-27 / PTE15bii  
 SAND SOURCE CONTOUR MAP  
 (0-5', 5-10' & 10-15' OVERLAY)



LOUISIANA COASTAL RESTORATION ZONE (1987 ACT)

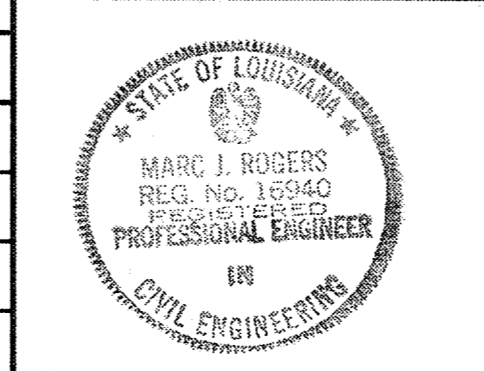


- NOTES:**
- 1) AFTER DREDGE DEPTH CONTOUR INFORMATION DONE BY T. BAKER SMITH & SON, INC. ON 8/98.
  - 2) CONTRACTOR TO VERIFY AND MARK LOCATION OF PIPELINES AND OYSTER LEASES BEFORE DREDGING.
  - 3) CONTRACTOR MAY NOT USE THIS BORROW AREA UNLESS AUTHORIZED IN WRITING BY DNR PROJECT MANAGER.



Ref: T. Baker Smith & Son, Inc. Construction Drawings "Isle Dernieres Restoration Projects, East Island (Phase 0) and Trinity Island (Phase 1), Terrebonne Parish, LA, Dated 9/5/97, Sheets 14-17.

DATE	REVISIONS	APPROVED
09/10/98	As-built Drawings	MJR

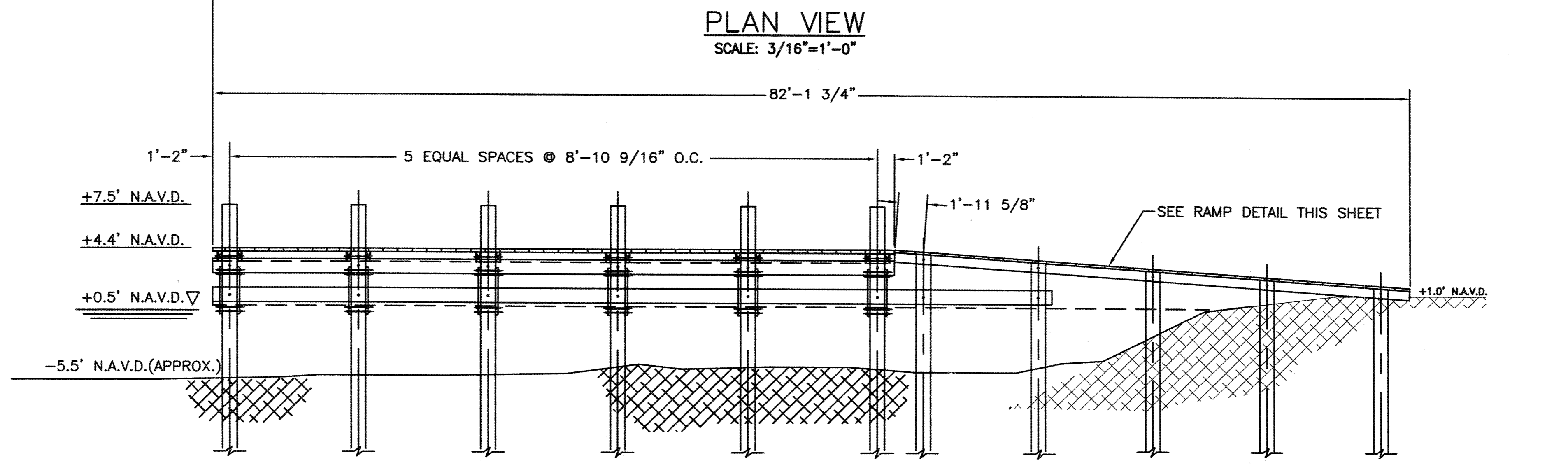
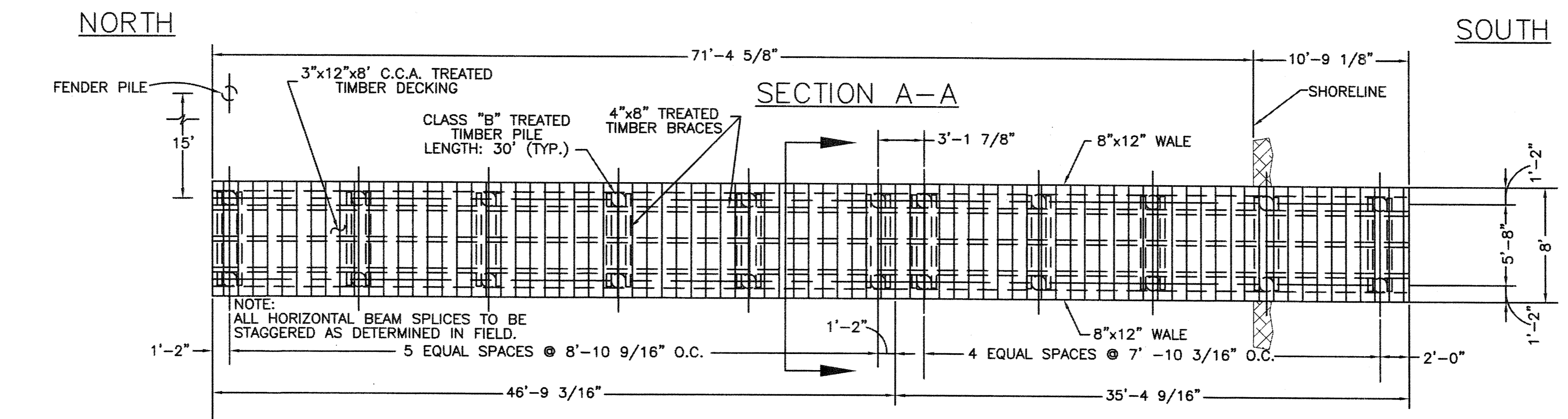


DRAWN BY: HJT/JDF  
 APPROVED BY: DBK/ALL  
 DATE: 10/7/97  
 SCALE: 1" = 1000'

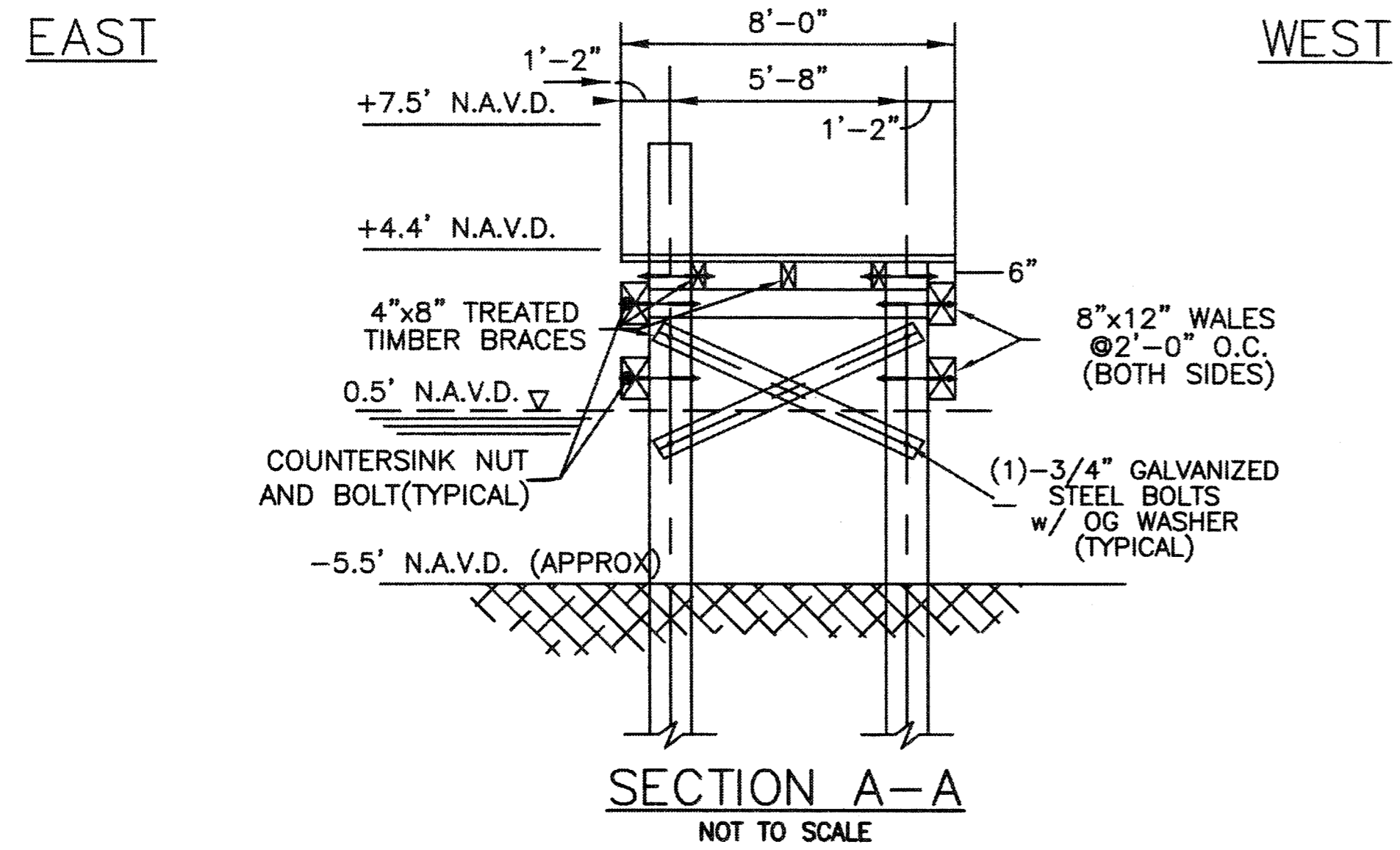
STATE OF LOUISIANA  
 DEPARTMENT OF NATURAL RESOURCES  
 COASTAL RESTORATION DIVISION  
 NICHOLLS STATE UNIVERSITY  
 P.O. BOX 2079  
 THIBODAUX, LOUISIANA 70310



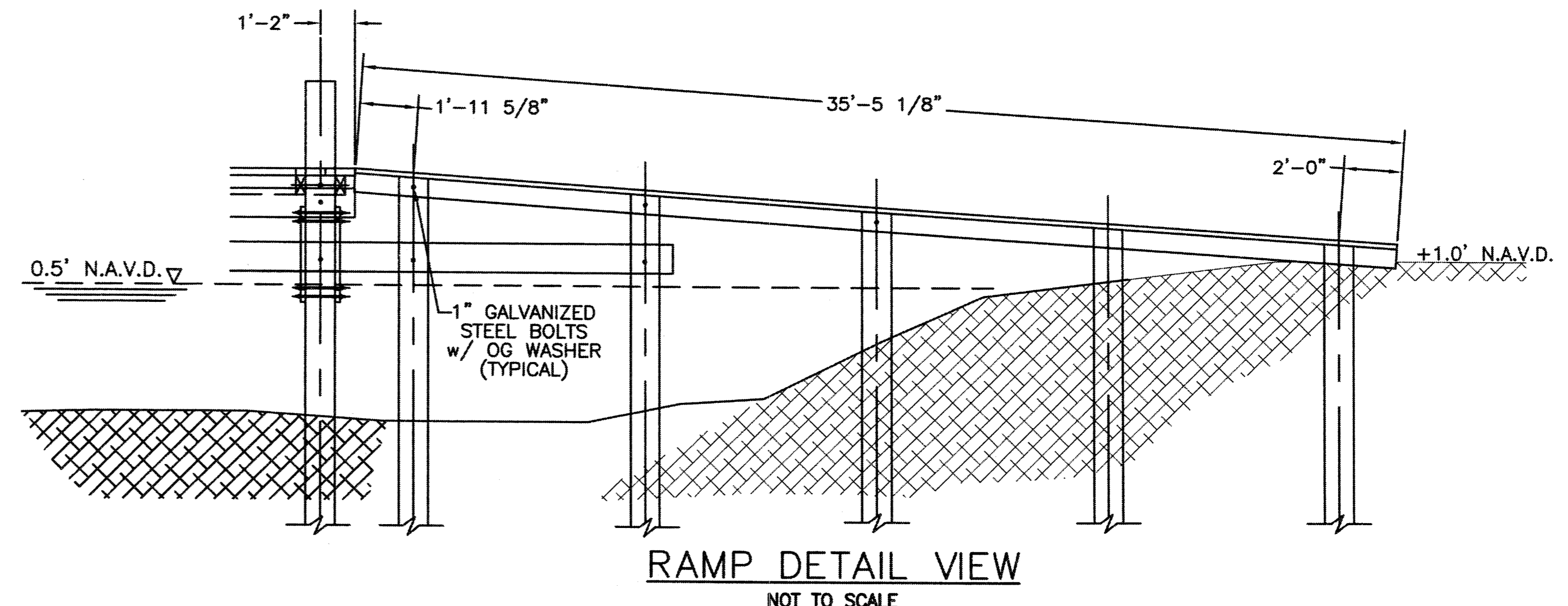
AS-BUILT  
 WHISKEY ISLAND RESTORATION  
 PROJECT - PHASE 3b  
 TE-27 / PTE15bi  
 AFTER DREDGE BORROW AREA  
 CONTOUR MAP



**ELEVATION VIEW**  
**WHISKEY ISLAND WHARF FACILITY**  
 SCALE: 3/16"=1'-0"



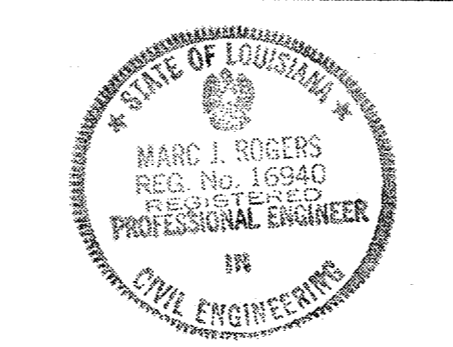
**SECTION A-A**  
 NOT TO SCALE



**RAMP DETAIL VIEW**  
 NOT TO SCALE

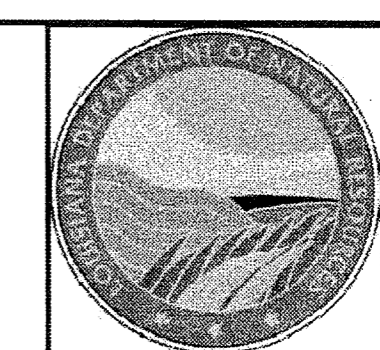
Ref: T. Baker Smith & Son, Inc. Construction Drawings "Isle Dernieres Restoration Projects, East Island (Phase0) and Trinity Island (Phase1), Terrebonne Parish, LA," Dated 9/5/97, Sheet 23.

DATE	REVISIONS	APPROVED
09/10/98	As-built drawings	MJR



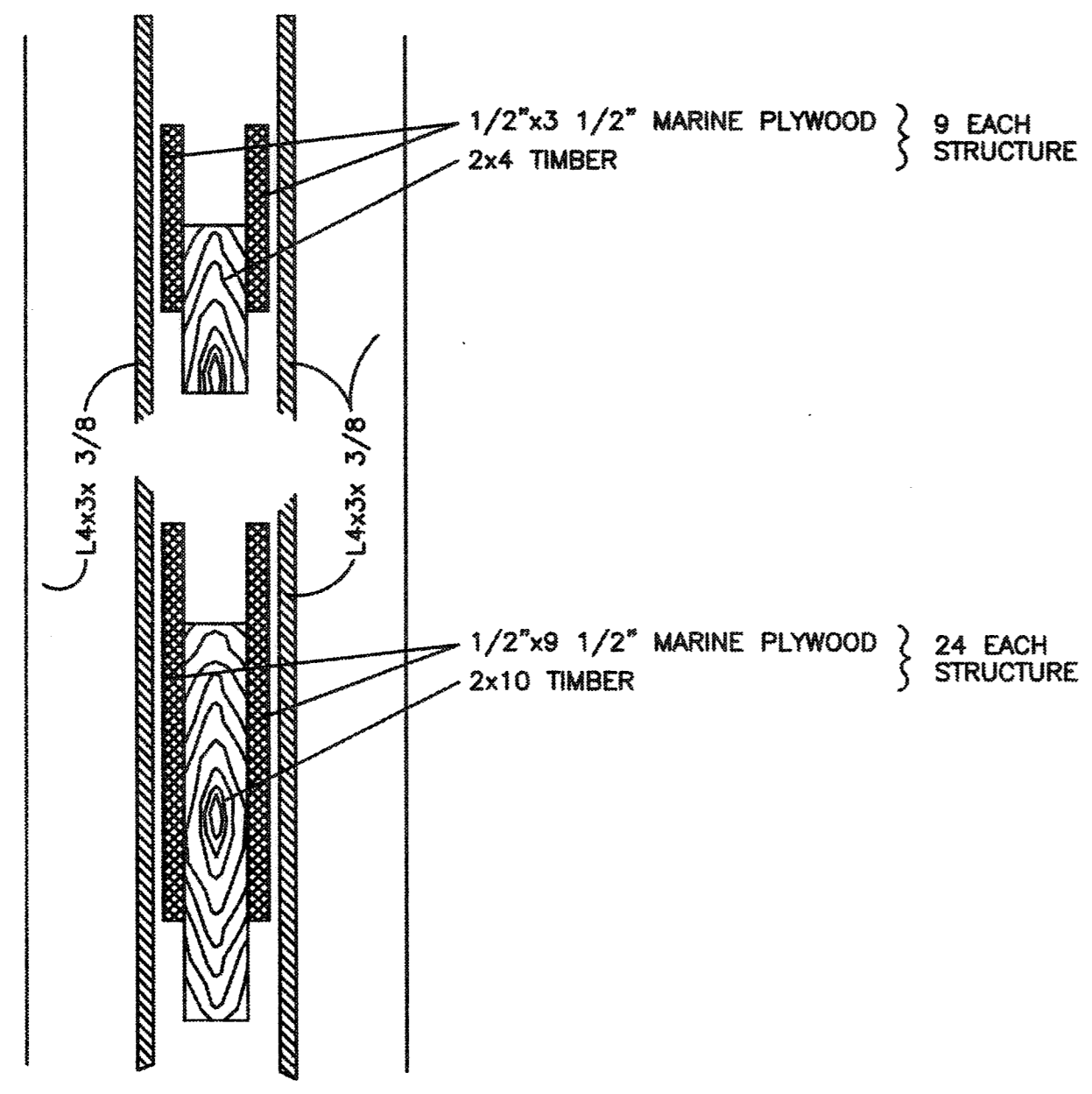
DRAWN BY: HJT/JDF  
 APPROVED BY: DBK/ALL  
 DATE: 10/7/97  
 SCALE: 3/16"=1'

STATE OF LOUISIANA  
 DEPARTMENT OF NATURAL RESOURCES  
 COASTAL RESTORATION DIVISION  
 NICHOLLS STATE UNIVERSITY  
 P.O. BOX 2079  
 THIBODAUX, LOUISIANA 70310

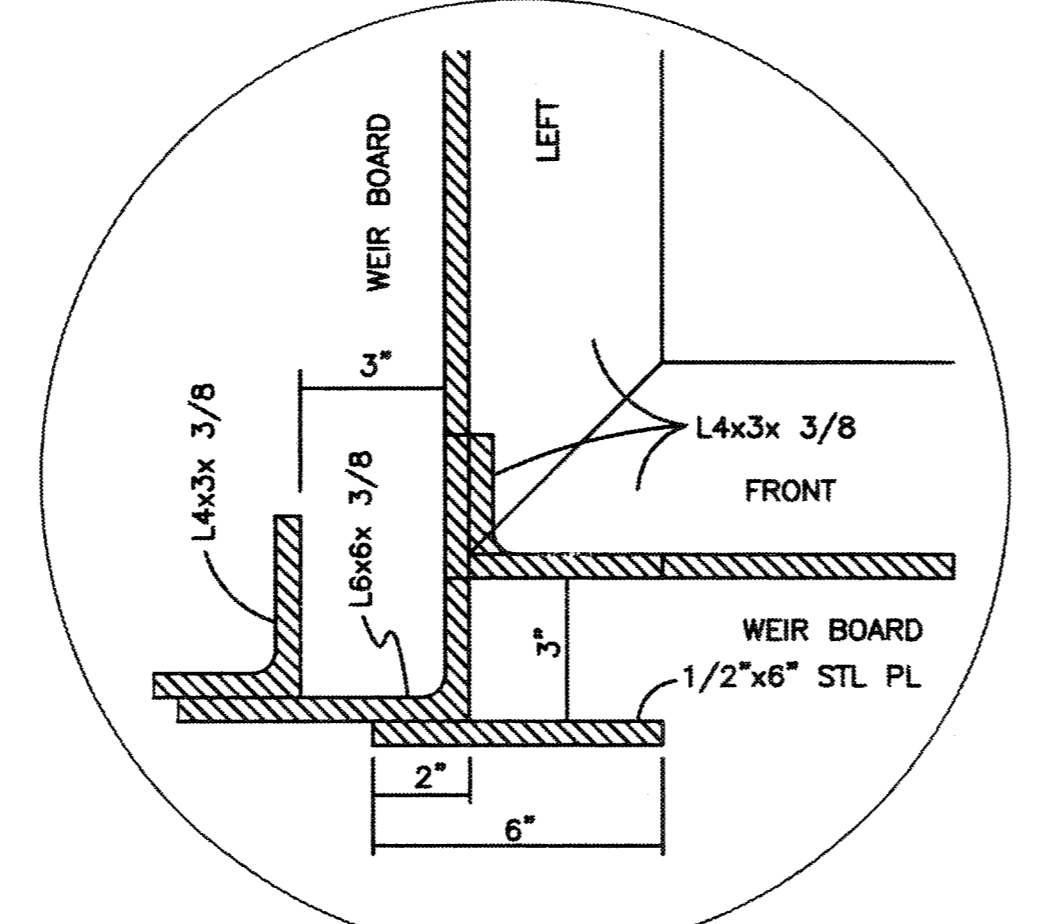


WHISKEY ISLAND RESTORATION  
 PROJECT - PHASE 3b  
 TE-27 / PTE15bii  
 WHARF DETAILS

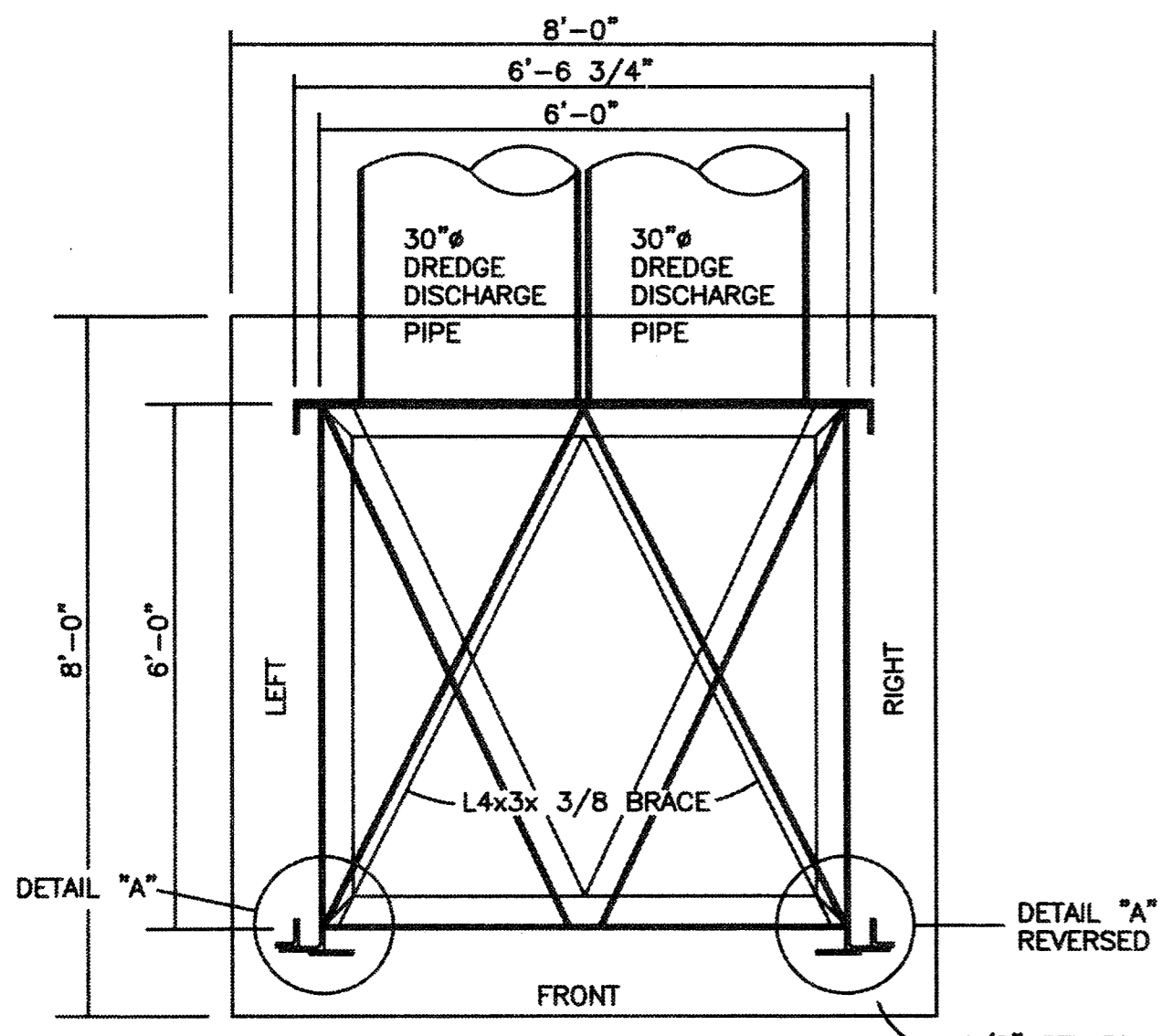
AS-BUILT



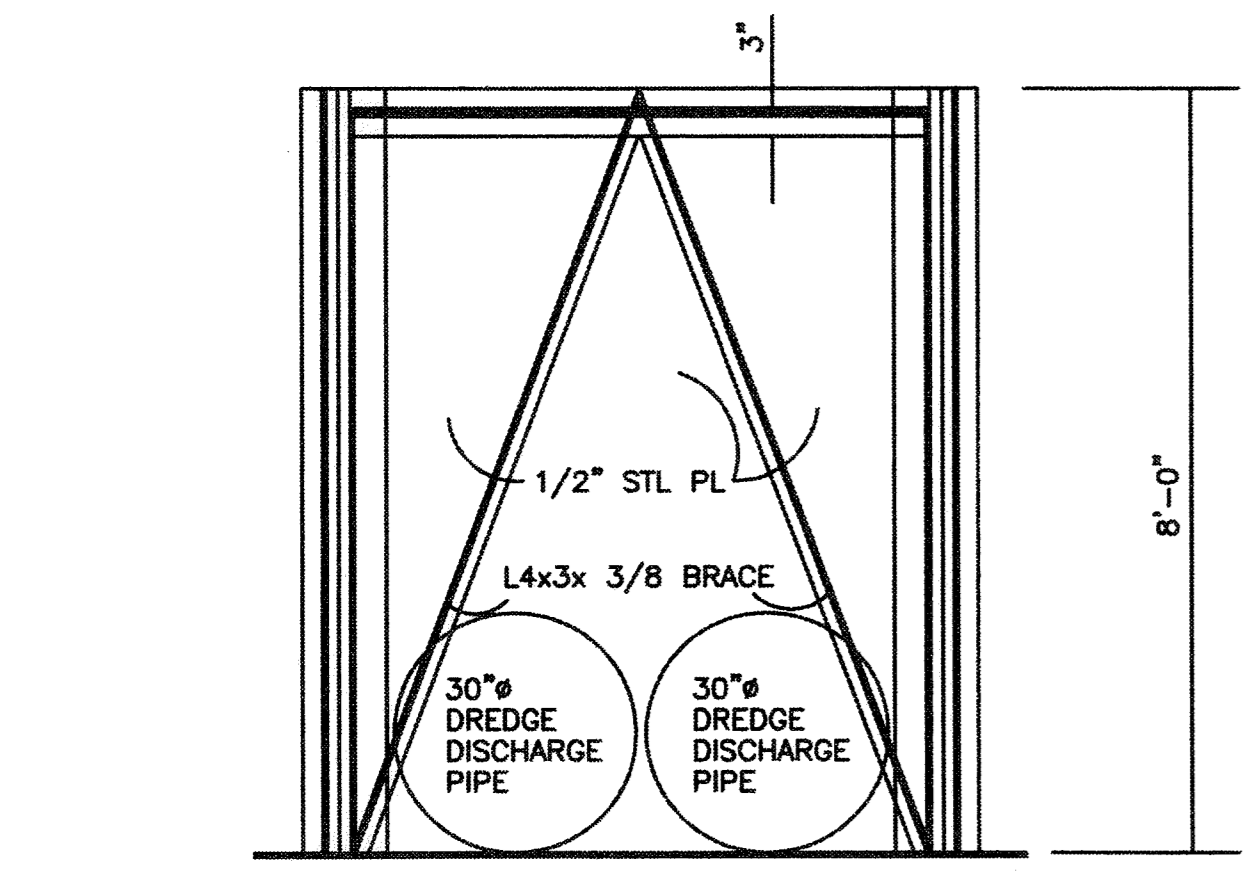
WEIR BOARD DETAIL  
SCALE 1"=3"



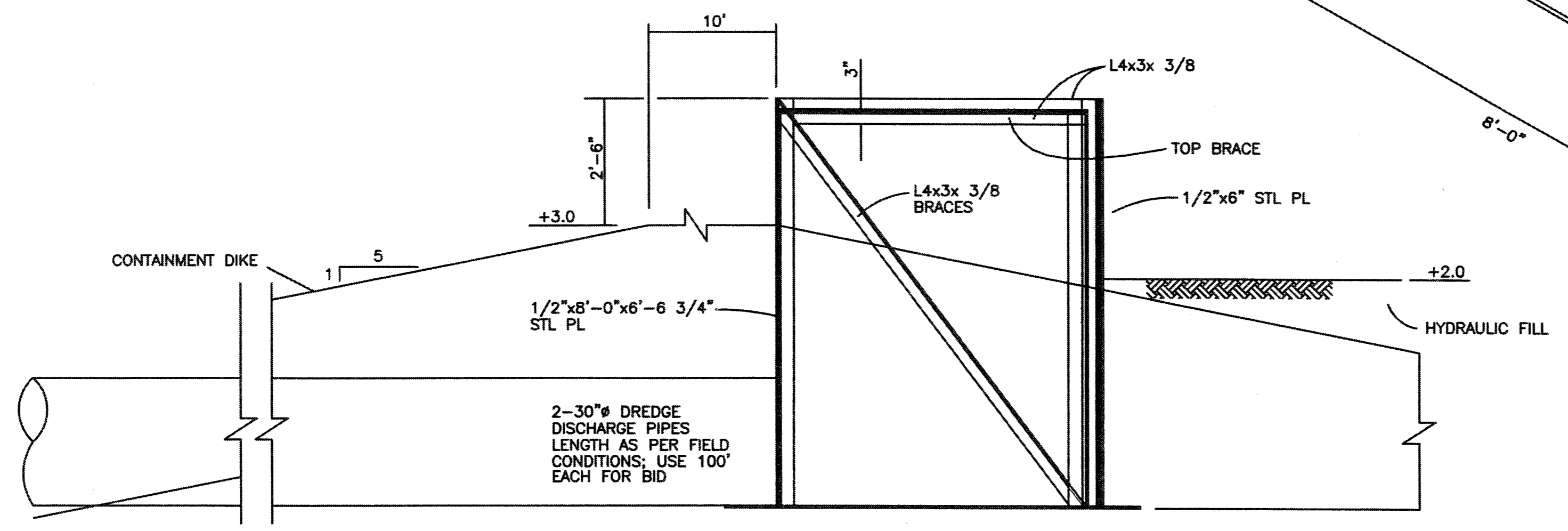
DETAIL "A"  
SCALE 1"=3"



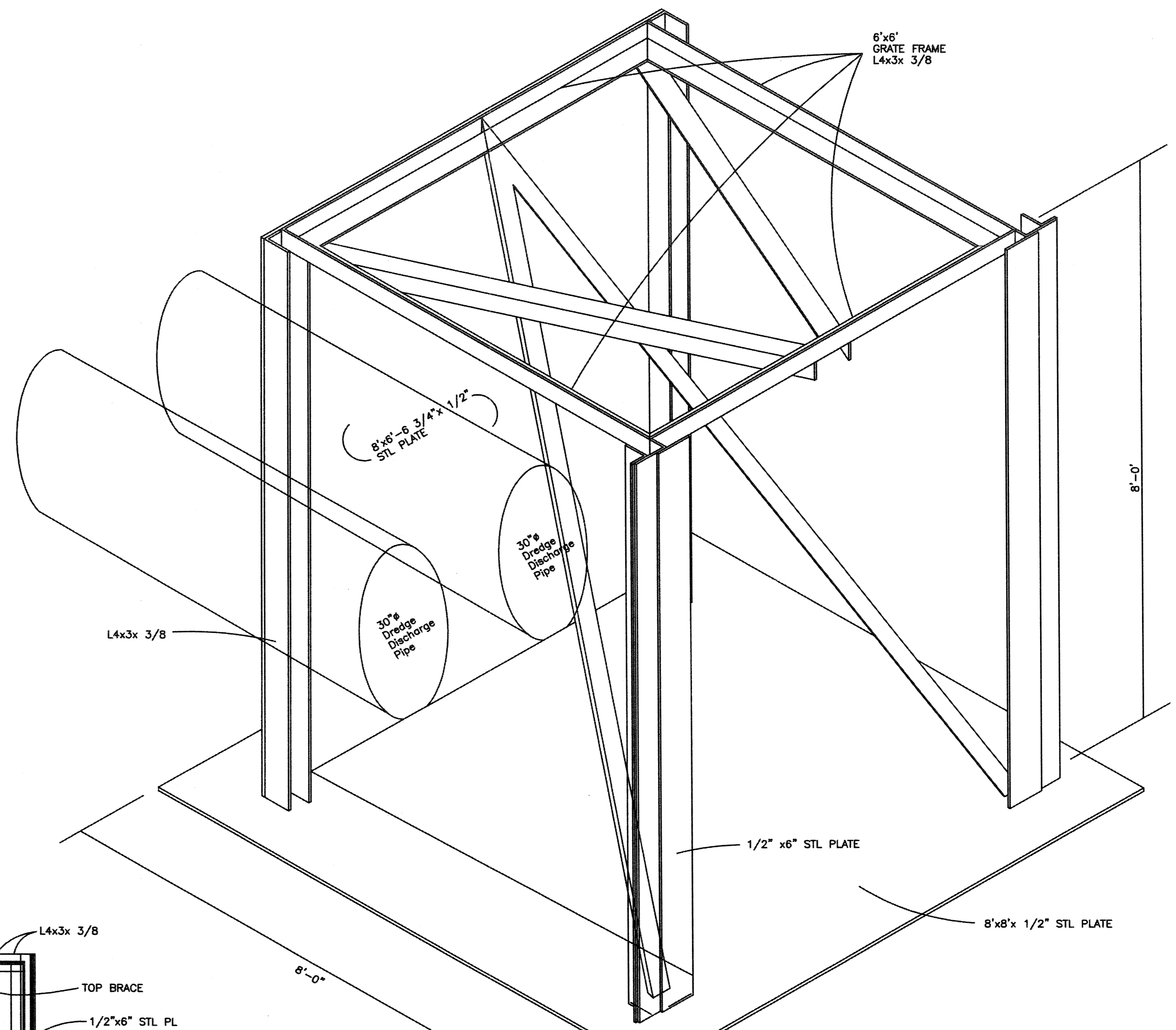
TOP VIEW  
SCALE 1/2"=1'-0"



FRONT VIEW  
SCALE 1/2"=1'-0"



LEFT VIEW  
SCALE 1/2"=1'-0"



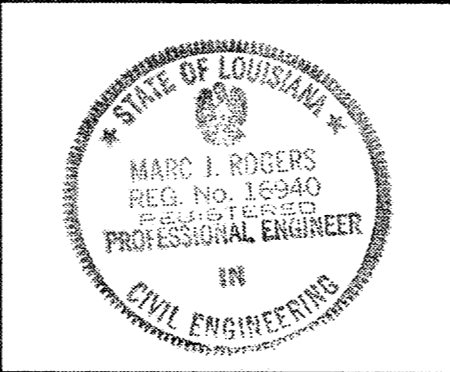
FRAME DETAIL ISOMETRIC VIEW  
SCALE 1/2"=1'-0"

NOTE: ALL BRACING TO BE 4"x3"x 3/8" ANGLE IRON UNLESS OTHERWISE NOTED  
ALL WELDS TO BE CONTINUOUS  
CONTRACTOR TO SUPPLY 6'x6'x3" 1 3/4" SERRATED GRATE

AS-BUILT

Ref: T. Baker Smith & Son, Inc. Construction Drawings "Isle Dernieres Restoration Projects, East Island (Phase 0) and Trinity Island (Phase 1), Terrebonne Parish, LA," Dated August, 97, Sheet 24.

DATE	REVISIONS	APPROVED
09/10/98	As-built drawings	MJR

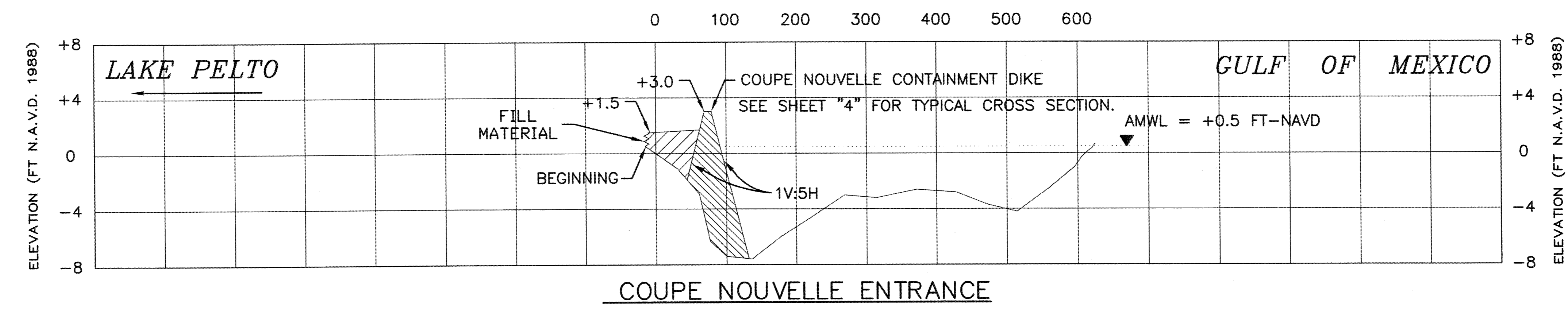
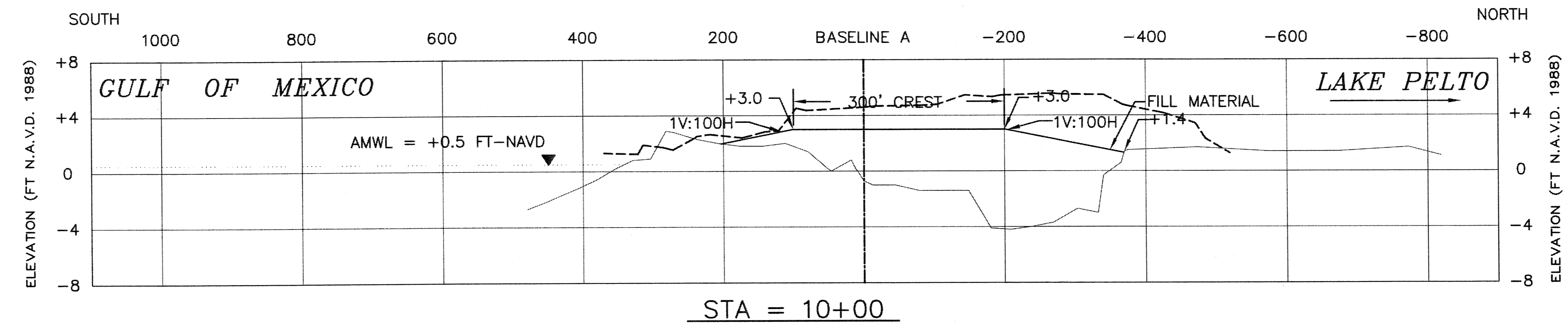
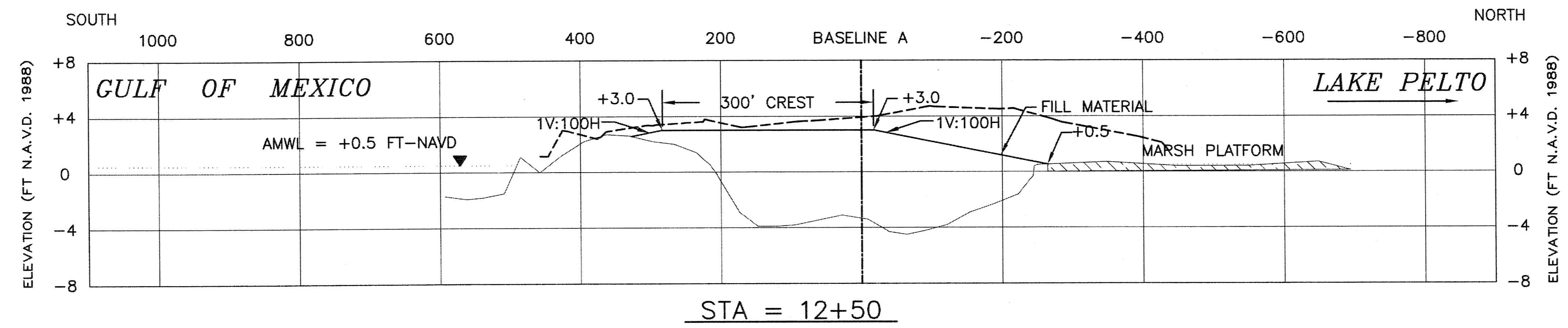
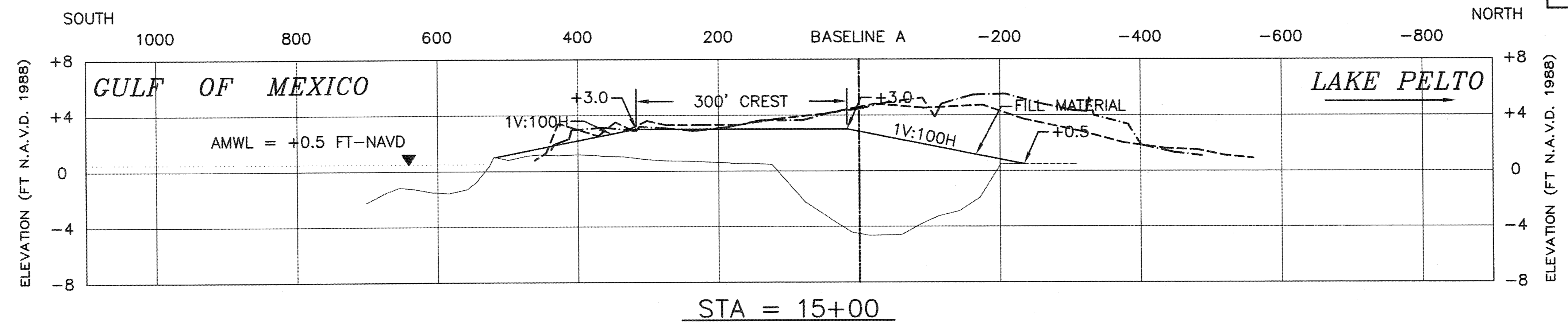


DRAWN BY: HJT/JDF  
APPROVED BY: DEK/ALL  
DATE: 10/7/97  
SCALE: 1/2" = 1'

STATE OF LOUISIANA  
DEPARTMENT OF NATURAL RESOURCES  
COASTAL RESTORATION DIVISION  
NICHOLLS STATE UNIVERSITY  
P.O. BOX 2079  
THIBODAUX, LOUISIANA 70310



WHISKEY ISLAND RESTORATION PROJECT - PHASE 3b  
TE-27 / PTE15bii  
OVERFLOW WEIR BOX AND DETAILS



**LEGEND**

Denotes Before Dredge Section (8/97) \_\_\_\_\_

Denotes Design Section \_\_\_\_\_

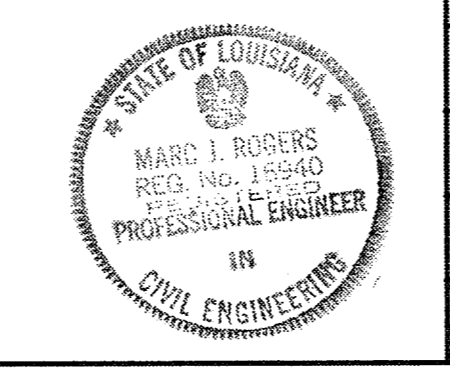
Denotes T. L. James & Co. As-built Section (5/98) - - - - -

Denotes T. Baker Smith & Son, Inc. Check Section (6/98) - · - · - ·

AS-BUILT

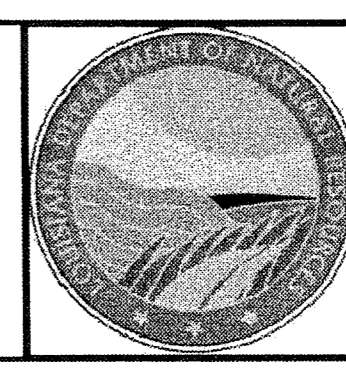
Ref: Picciola and Associates Survey Drawings "Hydrographic and Topographic Survey, Whiskey Island Restoration Project Part1 (TE-27/PTE15bii), Terrebonne Parish, LA" Dated 8/14/97, Sheets 1-13.

DATE	REVISIONS	APPROVED
09/10/98	As-built drawings	MJR

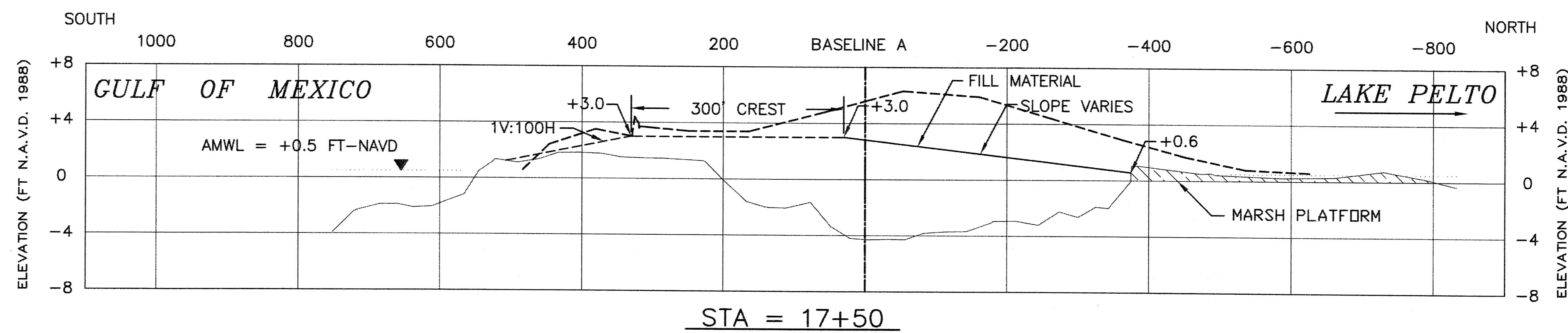
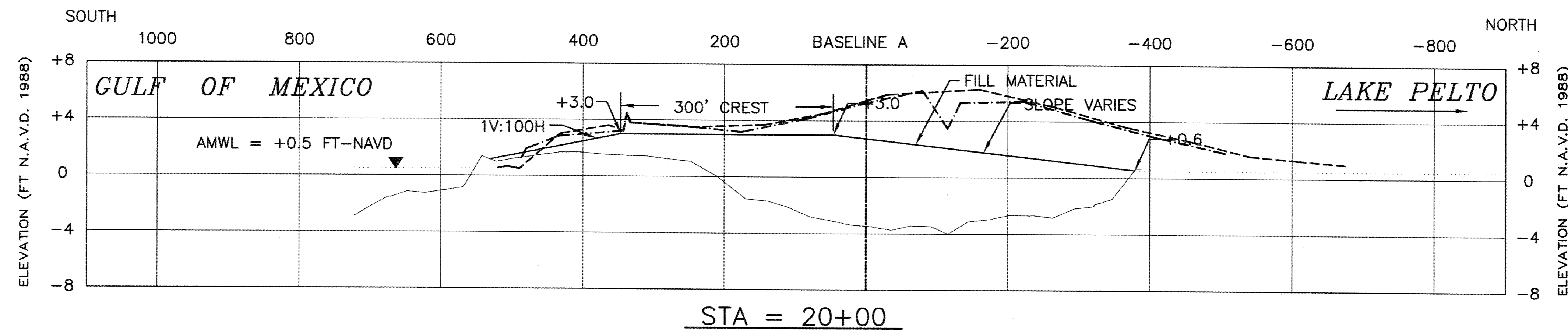
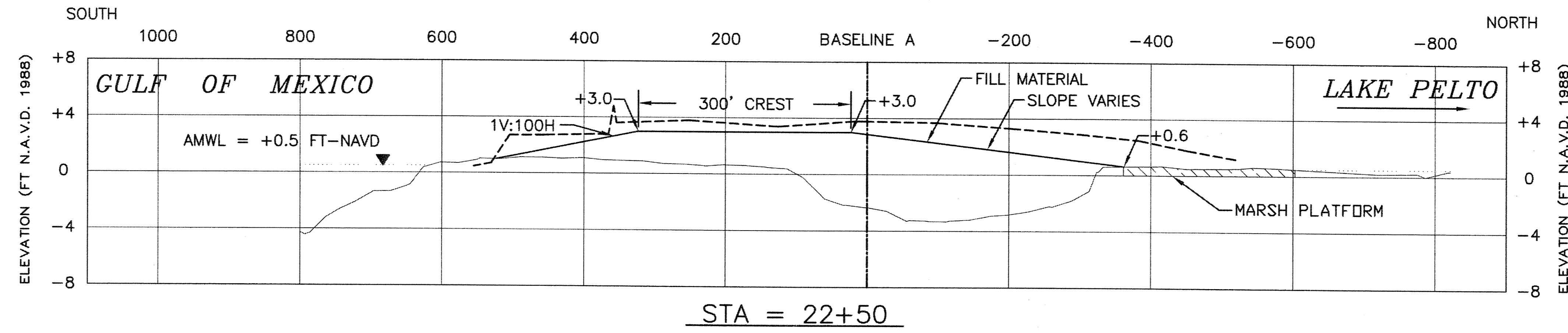
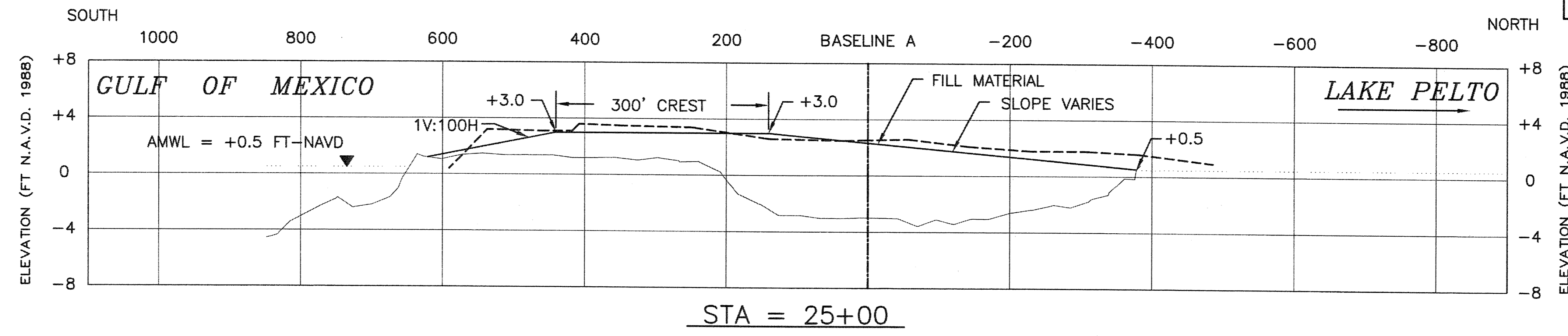


DRAWN BY: HJT/DFP  
 APPROVED BY: DBK/ALL  
 DATE: 10/1/97  
 SCALE: HORIZ. 1" = 100'  
 VERT. 1" = 5'

STATE OF LOUISIANA  
 DEPARTMENT OF NATURAL RESOURCES  
 COASTAL RESTORATION DIVISION  
 NICHOLLS STATE UNIVERSITY  
 P.O. BOX 2079  
 THIBODAUX, LOUISIANA 70310



WHISKEY ISLAND RESTORATION  
 PROJECT - PHASE 3b  
 TE-27 / PTE15bii  
 BASELINE A-COUPE NOUVELLE'  
 CROSS-SECTIONS

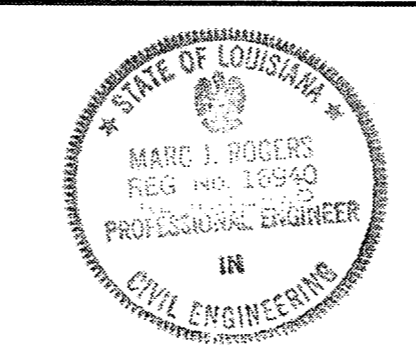


LEGEND	
—	Denotes Before Dredge Section (8/97)
—	Denotes Design Section
—	Denotes T. L. James & Co. As-built Section (5/98)
—	Denotes T. Baker Smith & Son, Inc. Check Section (6/98)

AS-BUILT

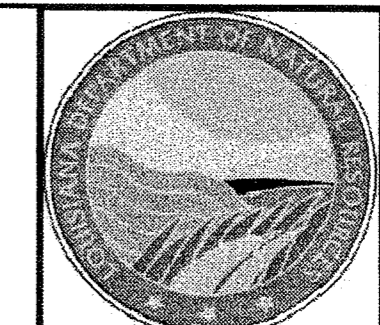
Ref: Picciola and Associates Survey Drawings "Hydrographic and Topographic Survey, Whiskey Island Restoration Project Part 1 (TE-27/PTE15bii), Terrebonne Parish, LA" Dated 8/14/97, Sheets 1-13.

DATE	REVISIONS	APPROVED
09/10/98	As-built drawings	MJR

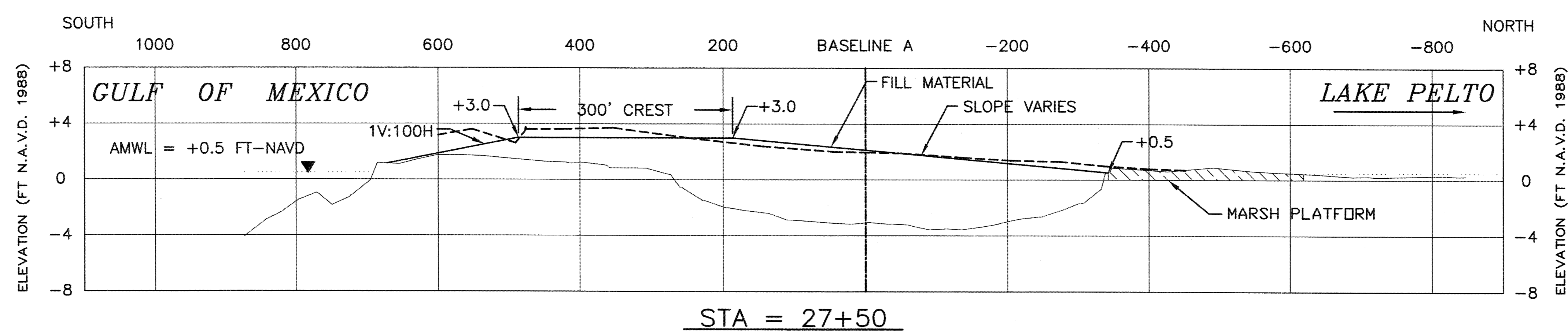
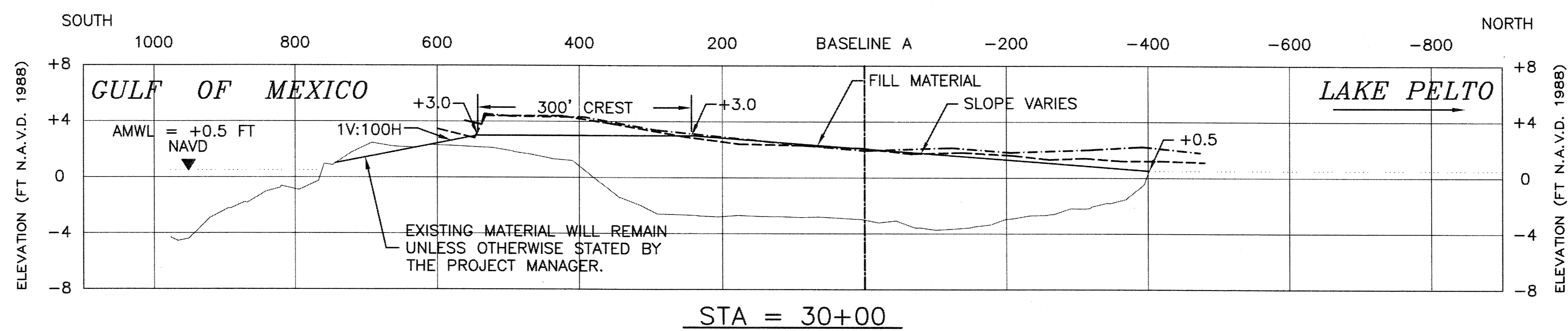
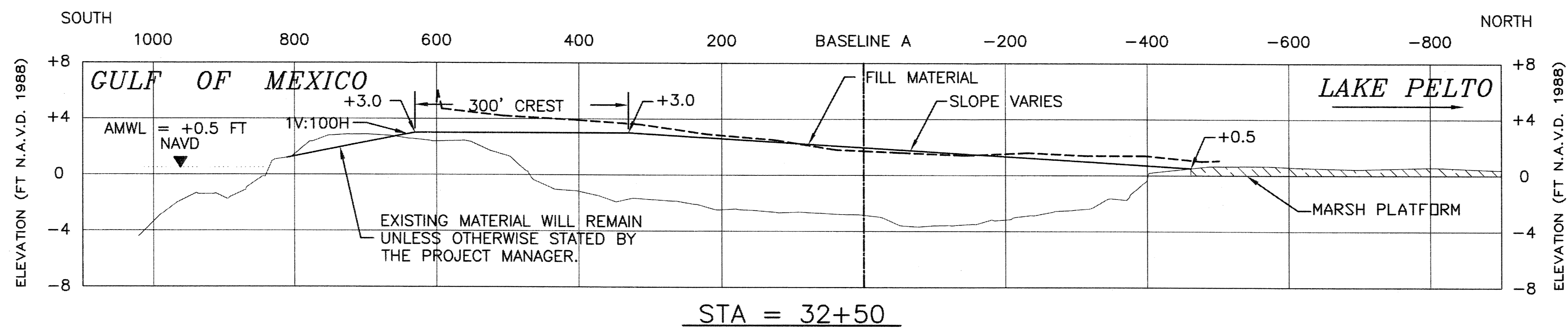
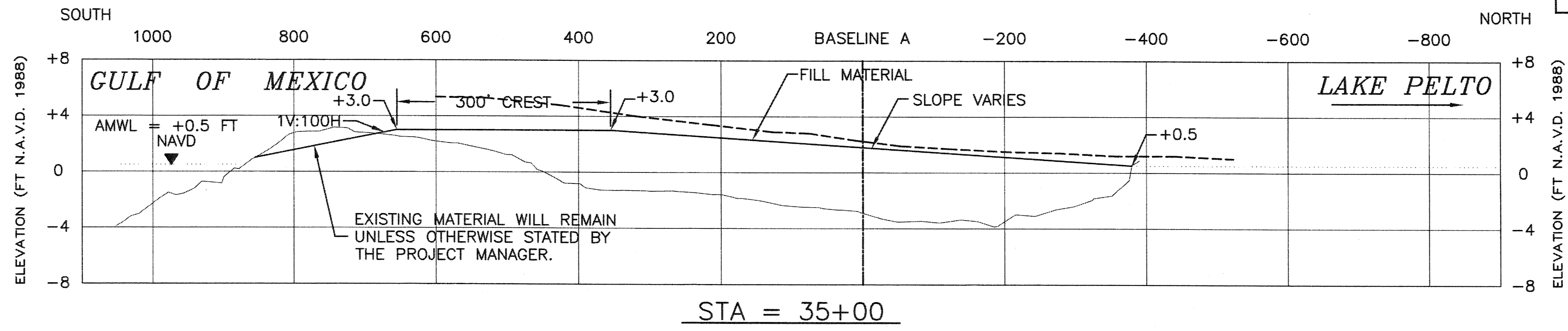


DRAWN BY: BPT/IDP  
 APPROVED BY: DEK/ALL  
 DATE: 10/7/97  
 SCALE: HORIZ. 1" = 100'  
 VERT. 1" = 5'

STATE OF LOUISIANA  
 DEPARTMENT OF NATURAL RESOURCES  
 COASTAL RESTORATION DIVISION  
 NICHOLLS STATE UNIVERSITY  
 P.O. BOX 2079  
 THIBODAUX, LOUISIANA 70310



WHISKEY ISLAND RESTORATION  
 PROJECT - PHASE 3b  
 TE-27 / PTE15bii  
 BASELINE A-COUPPE NOUVELLE'  
 CROSS-SECTIONS

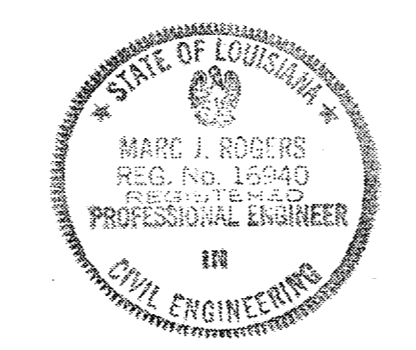


LEGEND	
Denotes Before Dredge Section (8/97)	_____
Denotes Design Section	_____
Denotes T. L. James & Co. As-built Section (5/98)	_____
Denotes T. Baker Smith & Son, Inc. Check Section (6/98)	_____

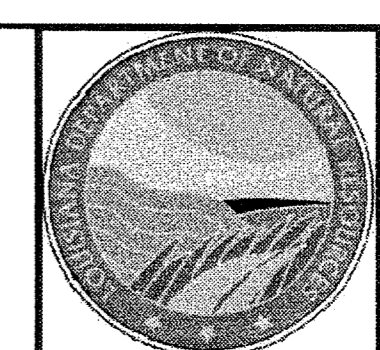
Ref: Picciola and Associates Survey Drawings "Hydrographic and Topographic Survey, Whiskey Island Restoration Project Part1 (TE-27/PTE15bii), Terrebonne Parish, LA" Dated 8/14/97, Sheets 1-13.

DATE	REVISIONS	APPROVED
09/10/98	As-built drawings	MJR

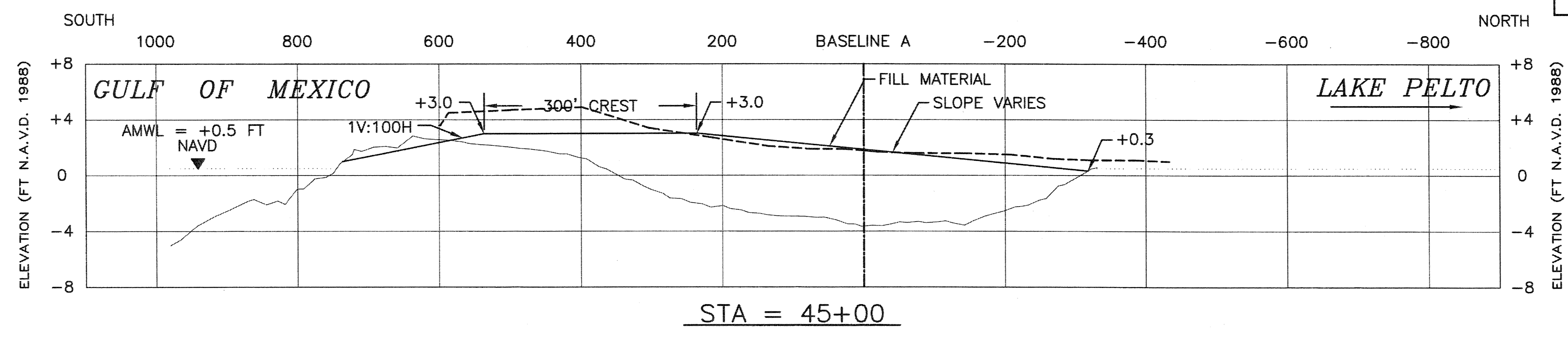
DRAWN BY: HJT/DFP  
 APPROVED BY: DEK/ALL  
 DATE: 10/7/97  
 SCALE: HORIZ. 1" = 100'  
 VERT. 1" = 5'



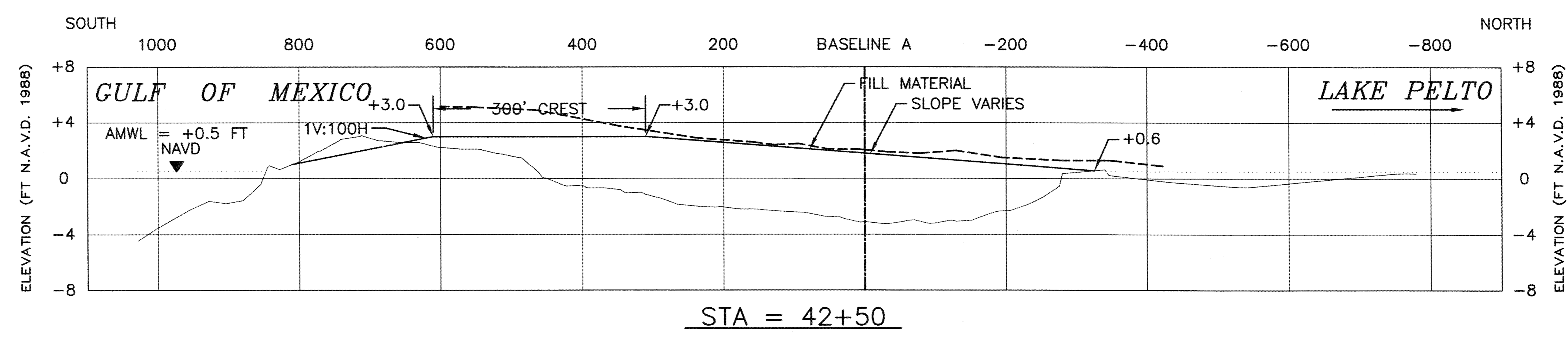
STATE OF LOUISIANA  
 DEPARTMENT OF NATURAL RESOURCES  
 COASTAL RESTORATION DIVISION  
 NICHOLLS STATE UNIVERSITY  
 P.O. BOX 2079  
 THIBODAUX, LOUISIANA 70310



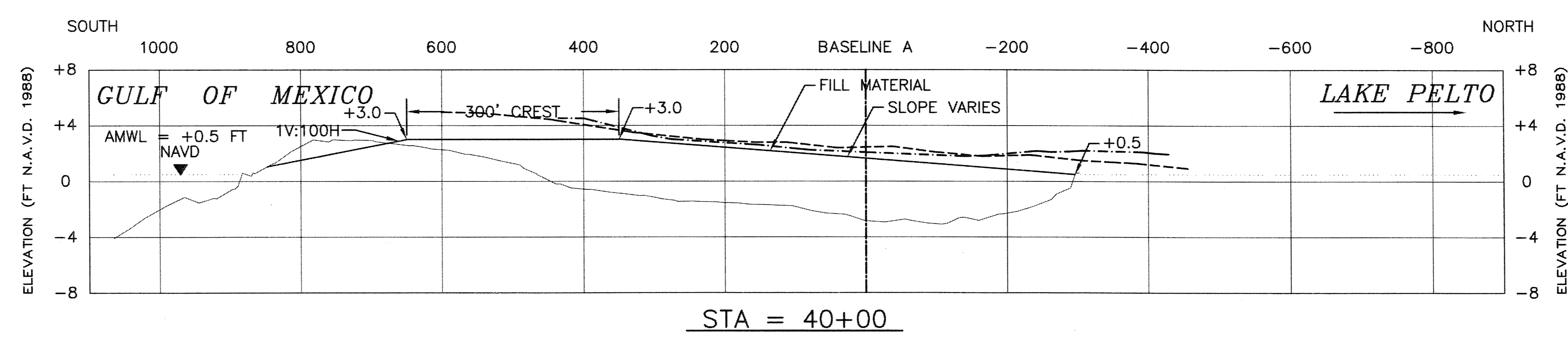
AS-BUILT  
 WHISKEY ISLAND RESTORATION  
 PROJECT - PHASE 3b  
 TE-27 / PTE15bii  
 BASELINE A-COUPPE NOUVELLE'  
 CROSS-SECTIONS



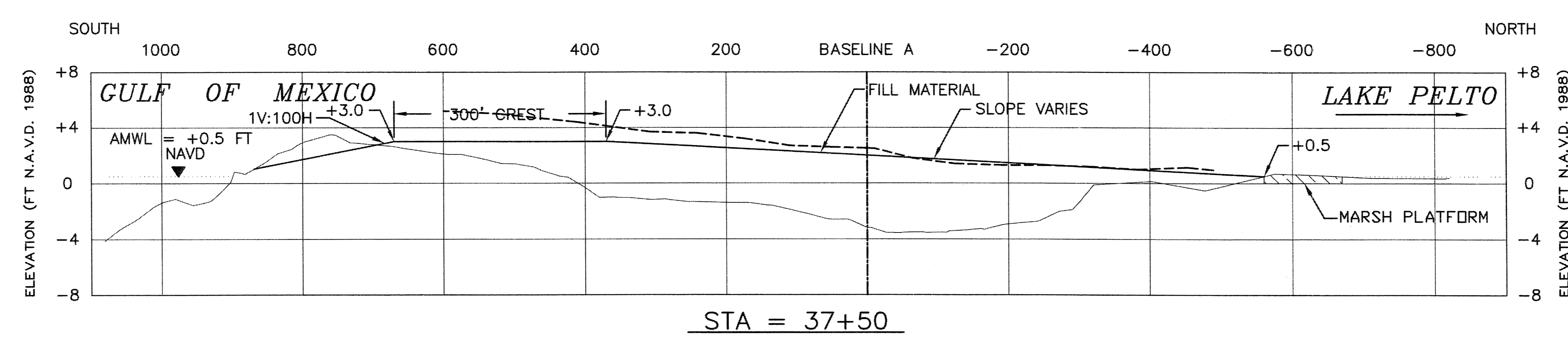
STA = 45+00



STA = 42+50



STA = 40+00



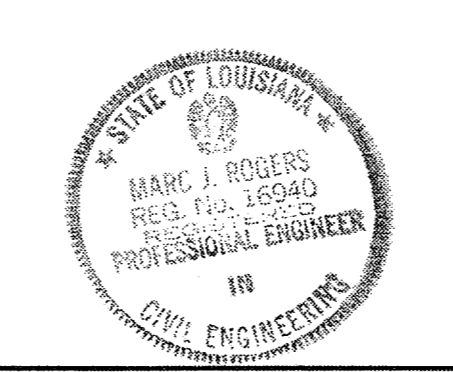
STA = 37+50

**LEGEND**

- Denotes Before Dredge Section (8/97)
- Denotes Design Section
- Denotes T. L. James & Co. As-built Section (5/98)
- Denotes T. Baker Smith & Son, Inc. Check Section (6/98)

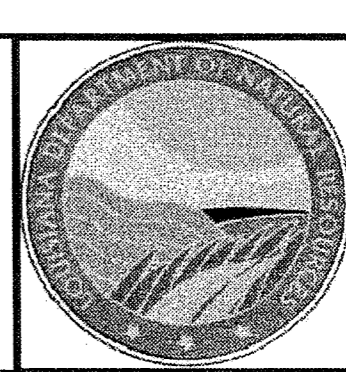
Ref: Picciola and Associates Survey Drawings "Hydrographic and Topographic Survey, Whiskey Island Restoration Project Part1 (TE-27/PTE15bii), Terrebonne Parish, LA" Dated 8/14/97, Sheets 1-13.

DATE	REVISIONS	APPROVED
09/10/98	As-built drawings	MJR



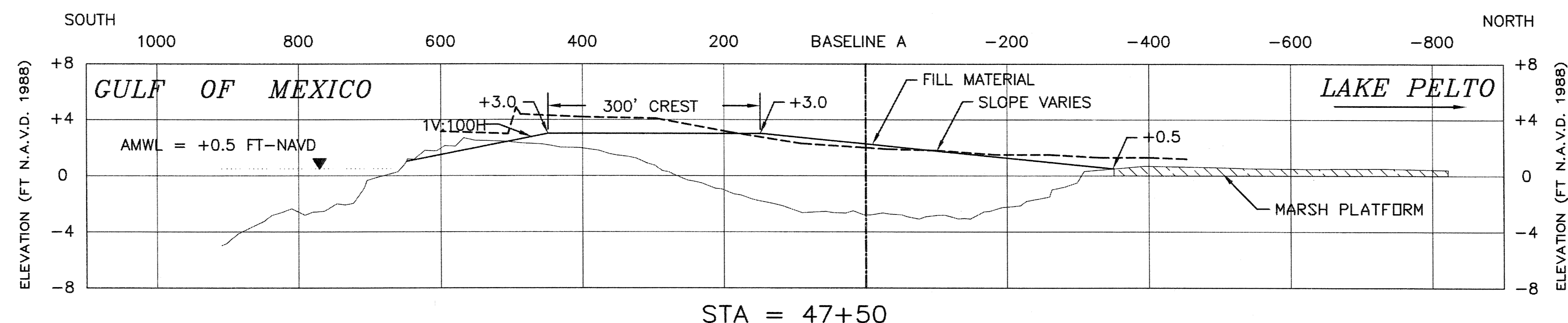
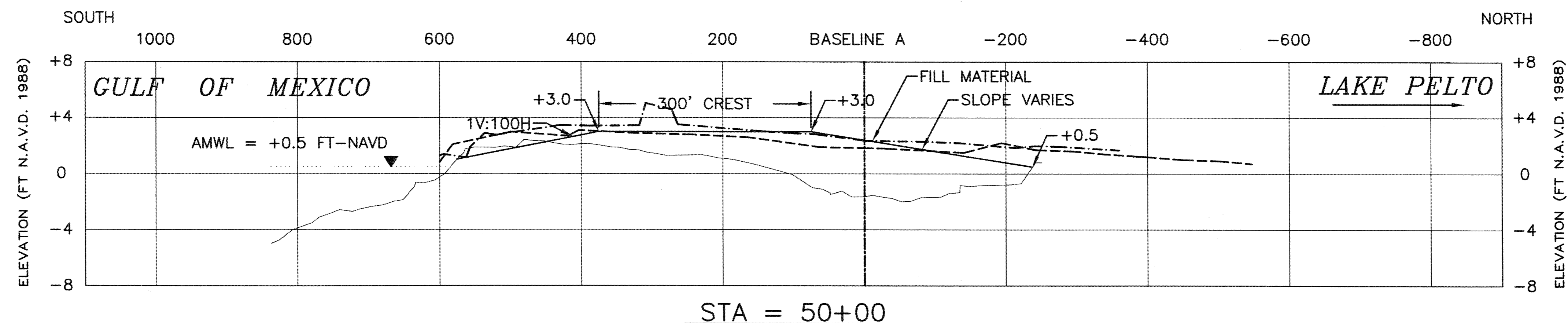
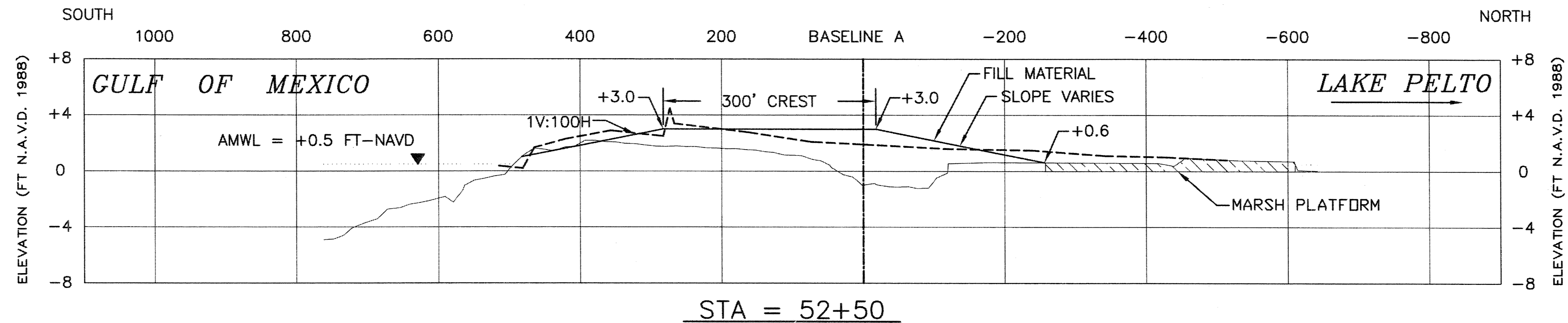
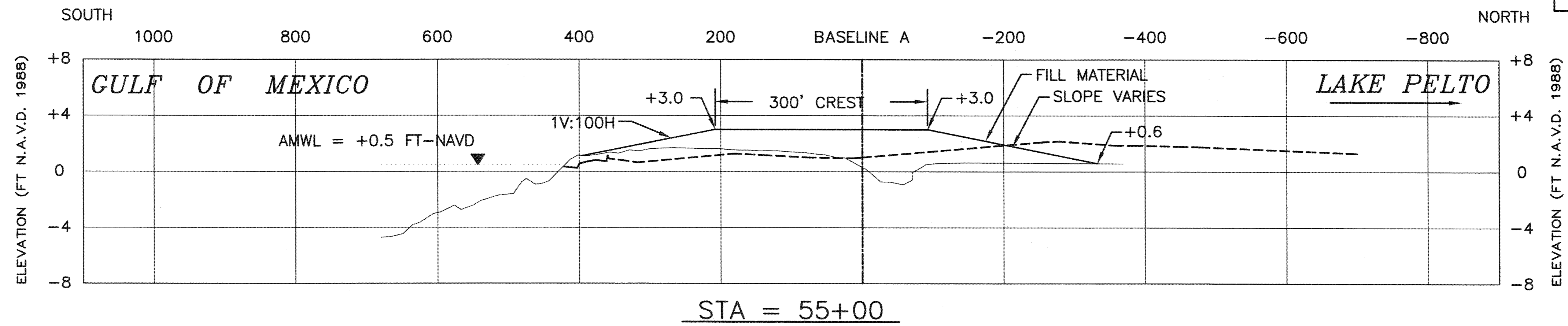
DRAWN BY: HJT/JDF  
 APPROVED BY: DBK/ALL  
 DATE: 10/7/97  
 SCALE: HORZ. 1" = 100'  
 VERT. 1" = 6'

STATE OF LOUISIANA  
 DEPARTMENT OF NATURAL RESOURCES  
 COASTAL RESTORATION DIVISION  
 NICHOLLS STATE UNIVERSITY  
 P.O. BOX 2079  
 THIBODAUX, LOUISIANA 70310



AS-BUILT

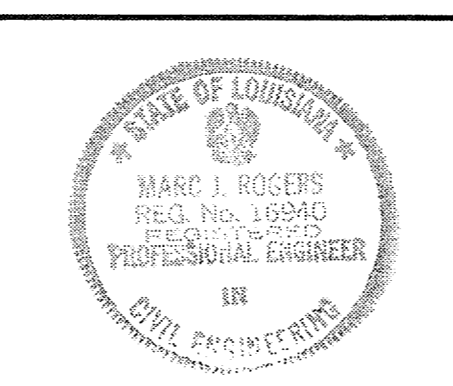
WHISKEY ISLAND RESTORATION PROJECT - PHASE 3b  
 TE-27 / PTE15bii  
 BASELINE A-COUPPE NOUVELLE' CROSS-SECTIONS



LEGEND	
Denotes Before Dredge Section (8/97)	—
Denotes Design Section	—
Denotes T. L. James & Co. As-built Section (5/98)	- - -
Denotes T. Baker Smith & Son, Inc. Check Section (6/98)	—

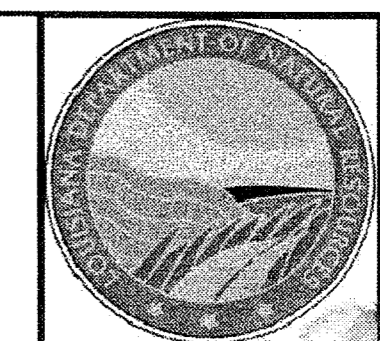
Ref: Picciola and Associates Survey Drawings "Hydrographic and Topographic Survey, Whiskey Island Restoration Project Part1 (TE-27/PTE15bii), Terrebonne Parish, LA" Dated 8/14/97, Sheets 1-13.

DATE	REVISIONS	APPROVED
09/10/98	As-built drawings	MJR



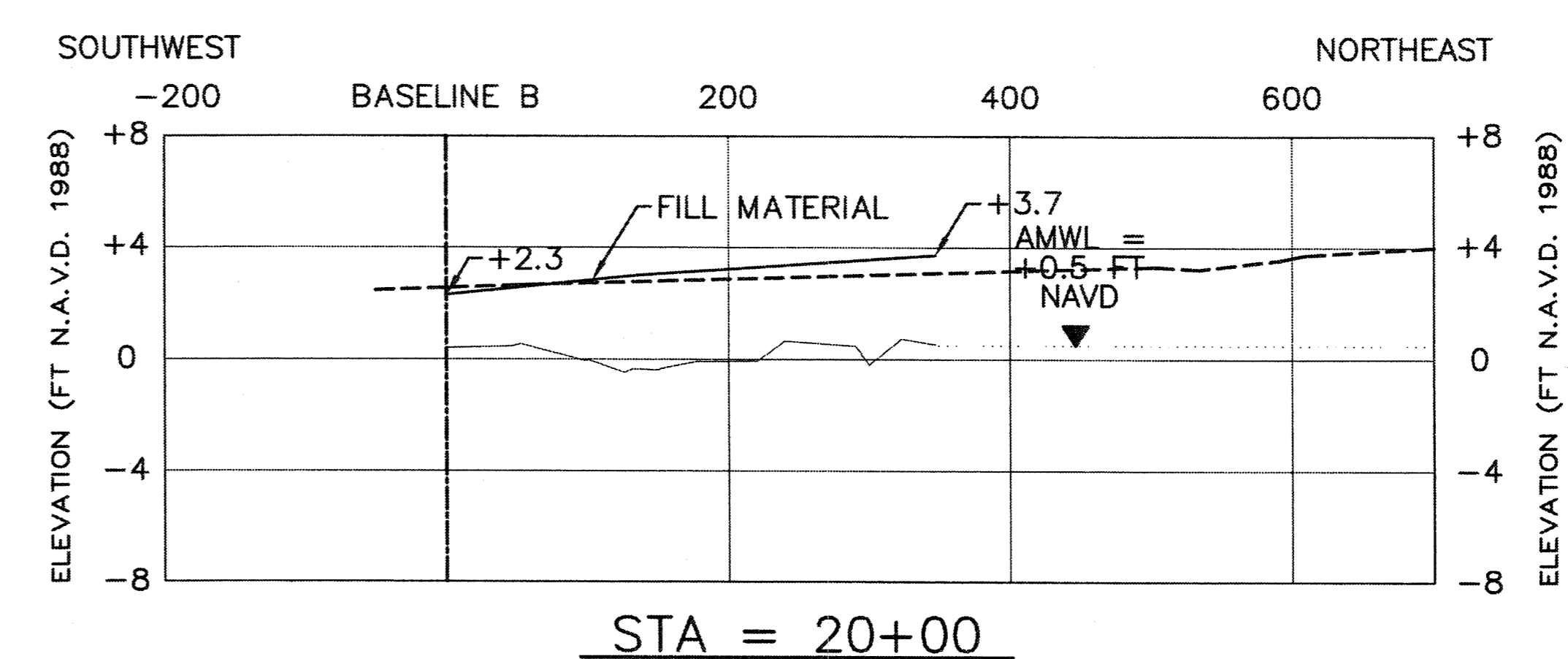
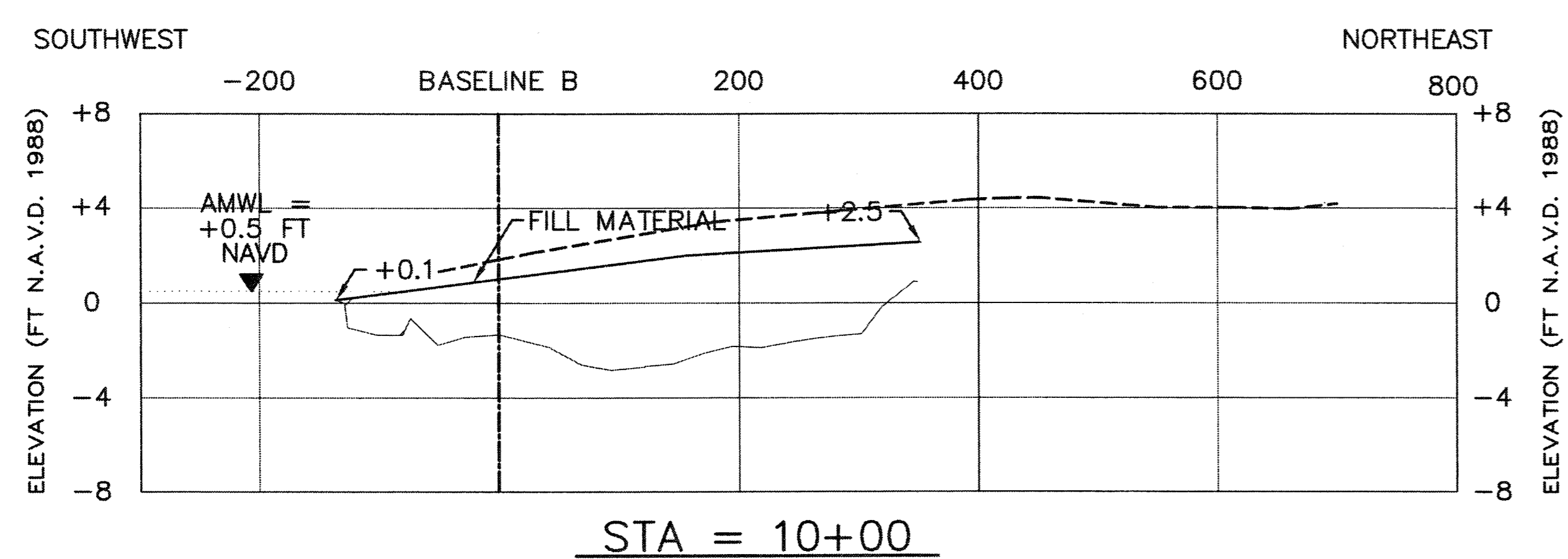
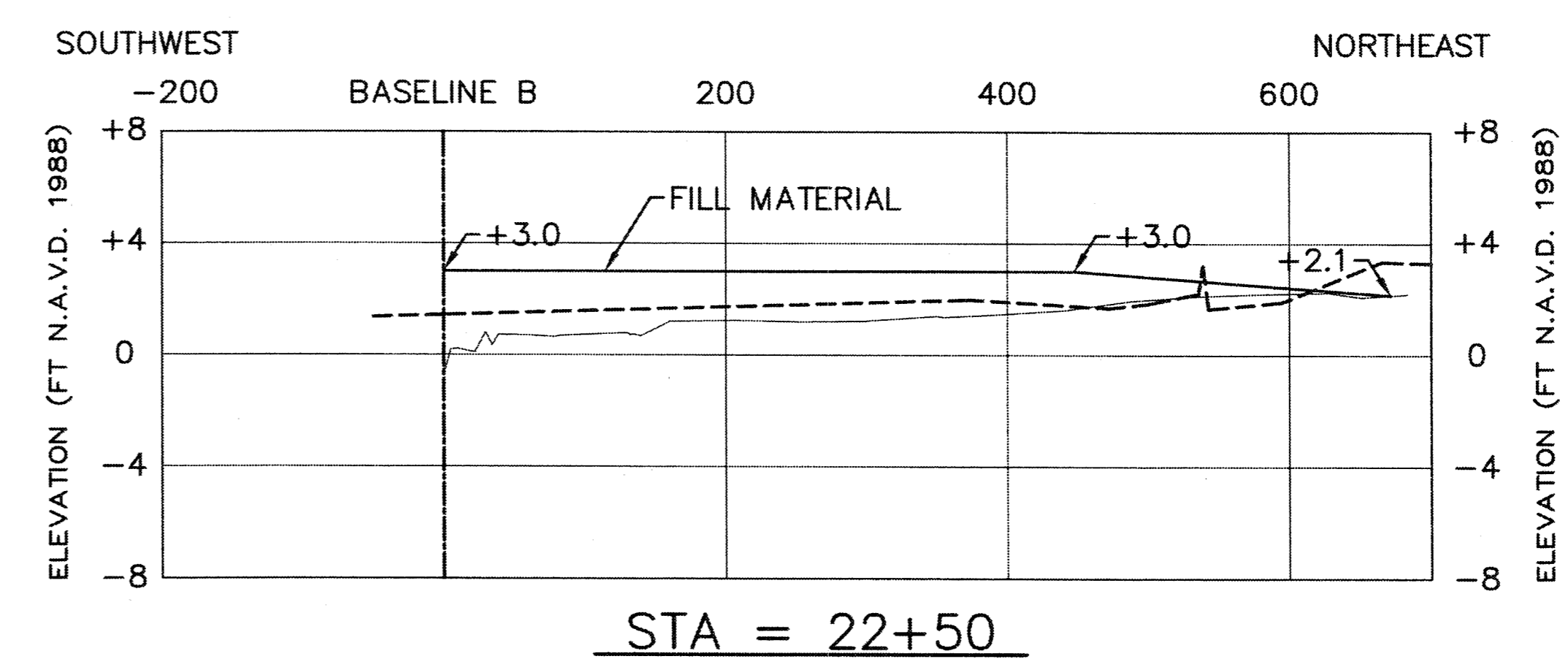
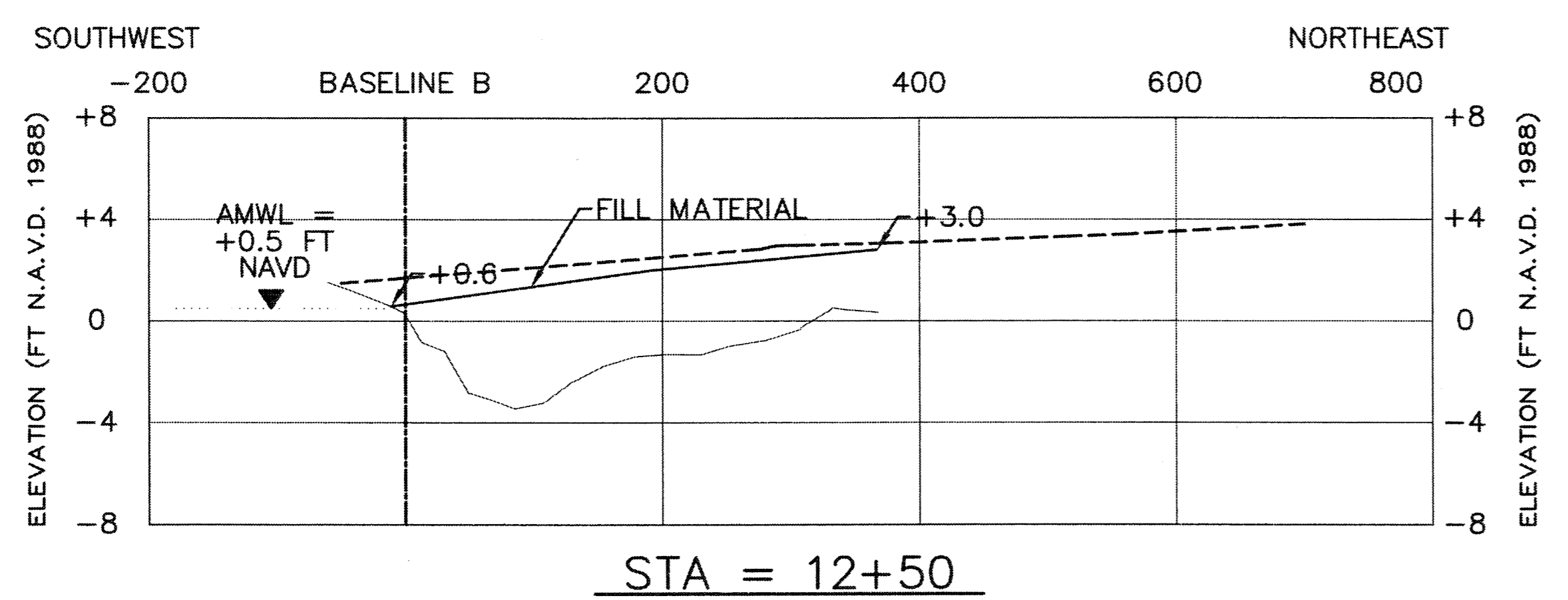
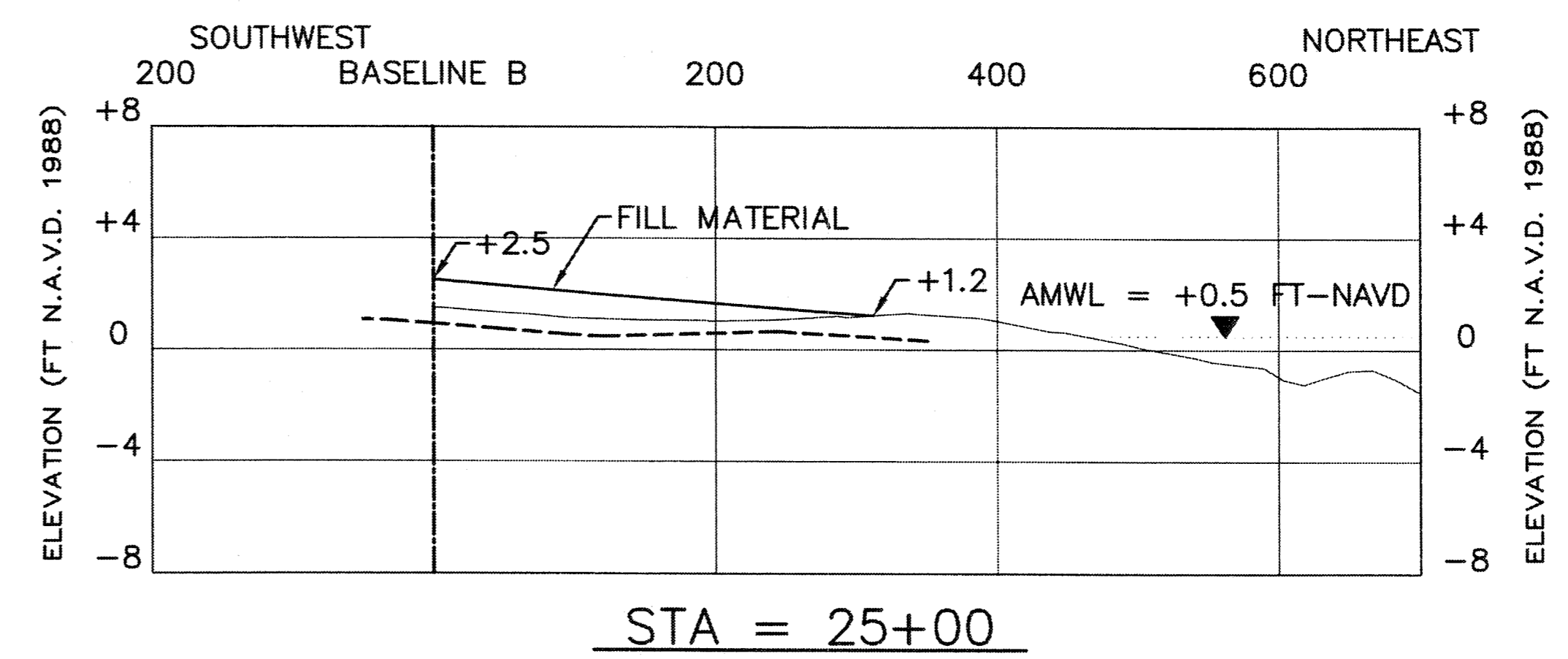
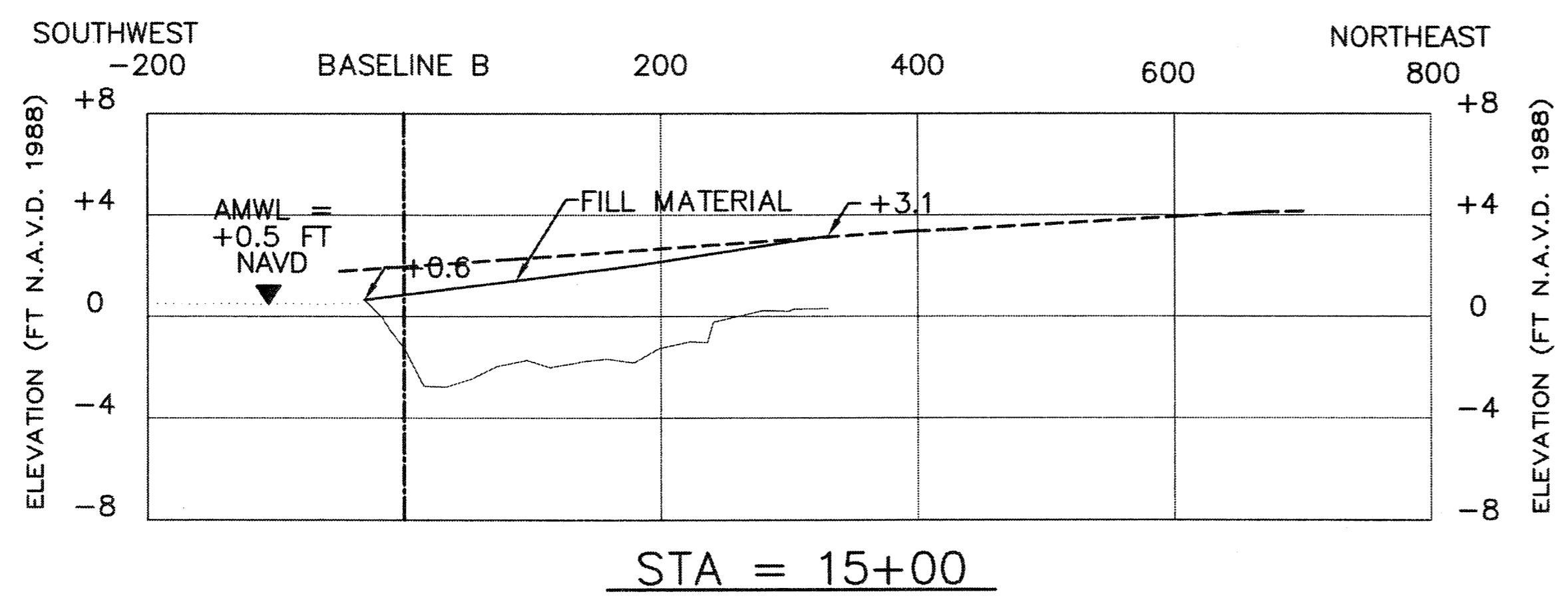
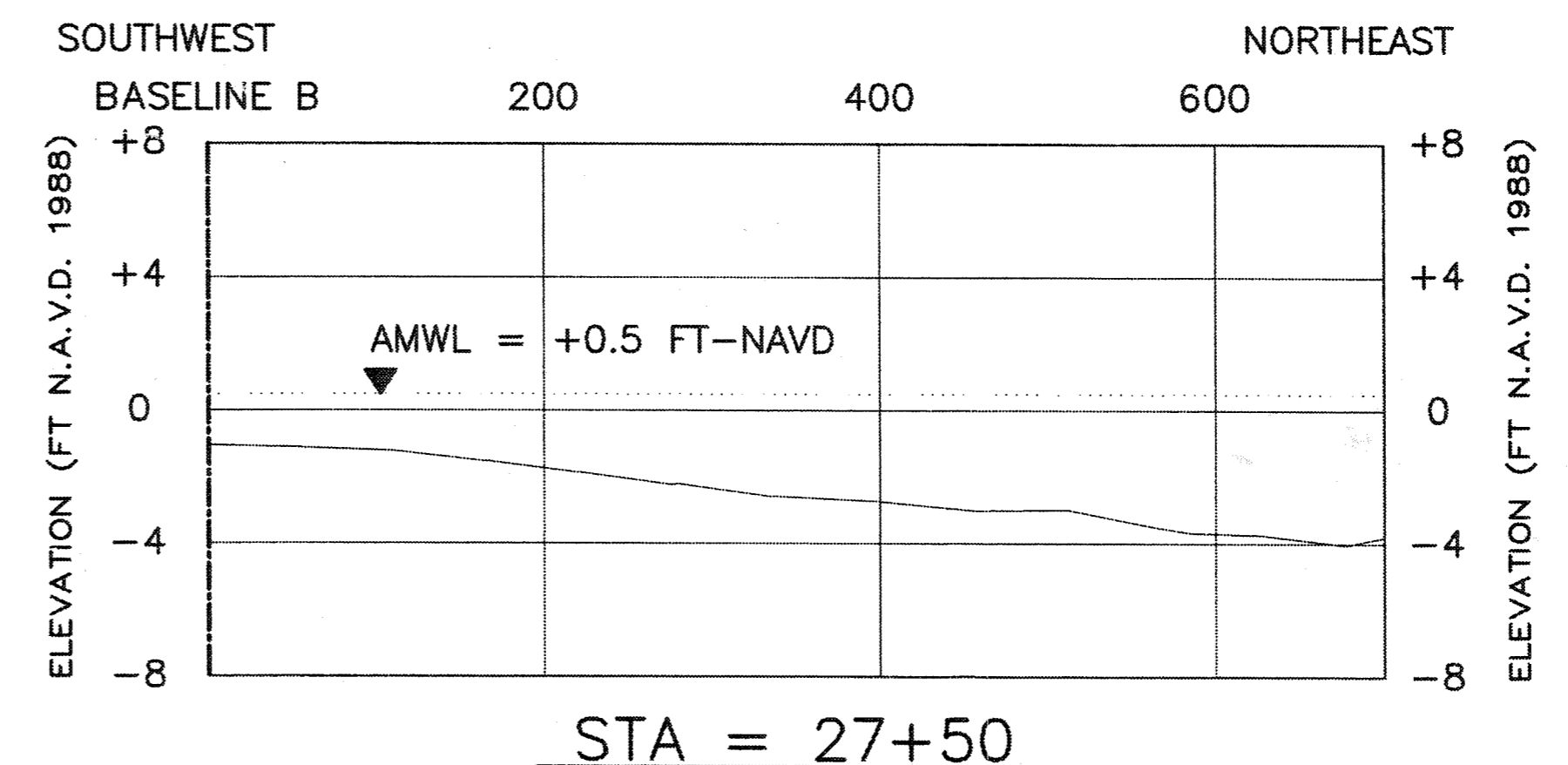
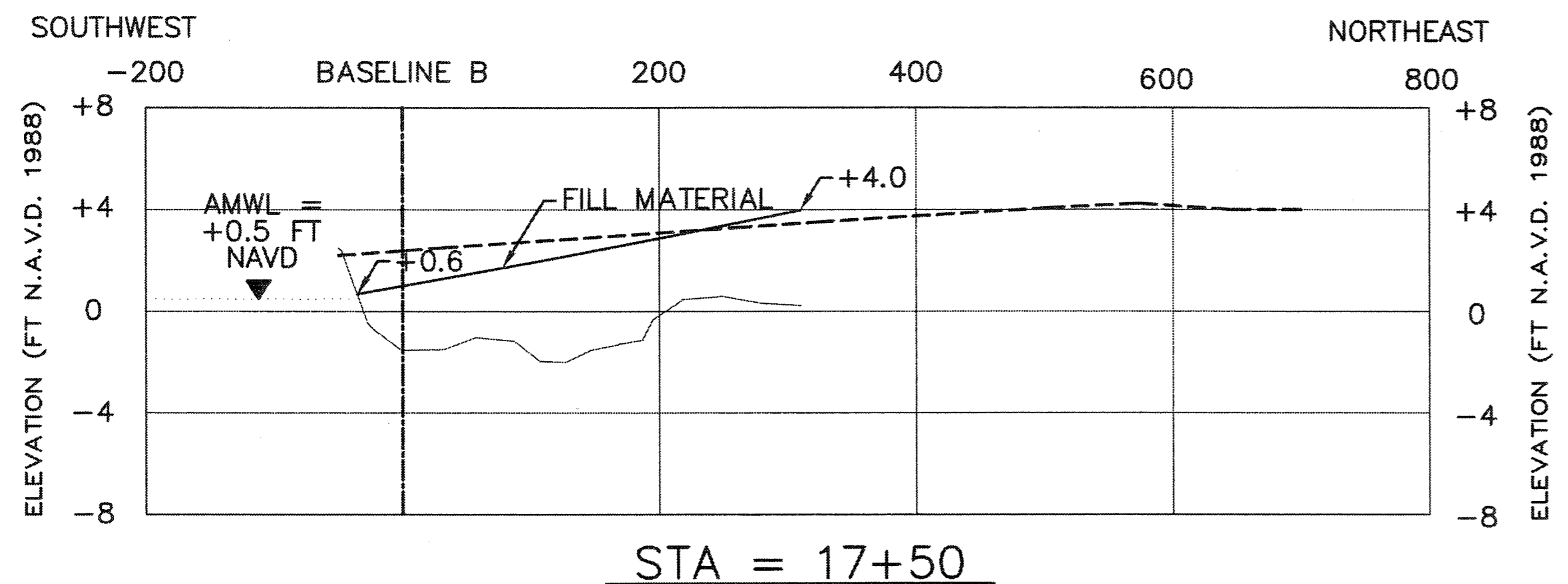
DRAWN BY: HPT/JDF  
 APPROVED BY: DBK/ALL  
 DATE: 10/7/97  
 SCALE: HORIZ. 1" = 100'  
 VERT. 1" = 5'

STATE OF LOUISIANA  
 DEPARTMENT OF NATURAL RESOURCES  
 COASTAL RESTORATION DIVISION  
 NICHOLLS STATE UNIVERSITY  
 P.O. BOX 2079  
 THIBODAUX, LOUISIANA 70310



AS-BUILT  
 WHISKEY ISLAND RESTORATION  
 PROJECT - PHASE 3b  
 TE-27 / PTE15bii  
 BASELINE A-COUPPE NOUVELLE'  
 CROSS-SECTIONS





**LEGEND**

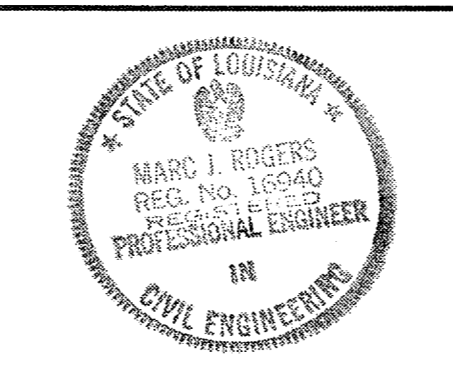
Denotes Before Dredge Section (8/97)

Denotes Design Section

Denotes T. L. James & Co. As-built Section (5/98)

Ref: Picciola and Associates Survey Drawings "Hydrographic and Topographic Survey, Whiskey Island Restoration Project Part1 (TE-27/PTE15bii), Terrebonne Parish, LA" Dated 8/14/97, Sheets 1-13.

DATE	REVISIONS	APPROVED
09/10/98	As-built drawings	MJR



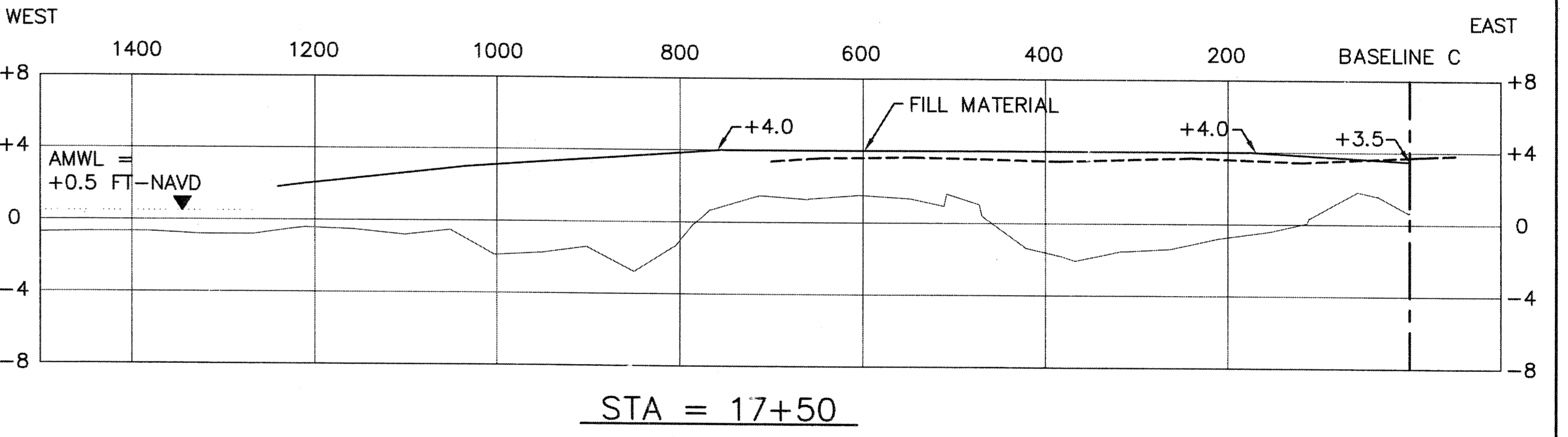
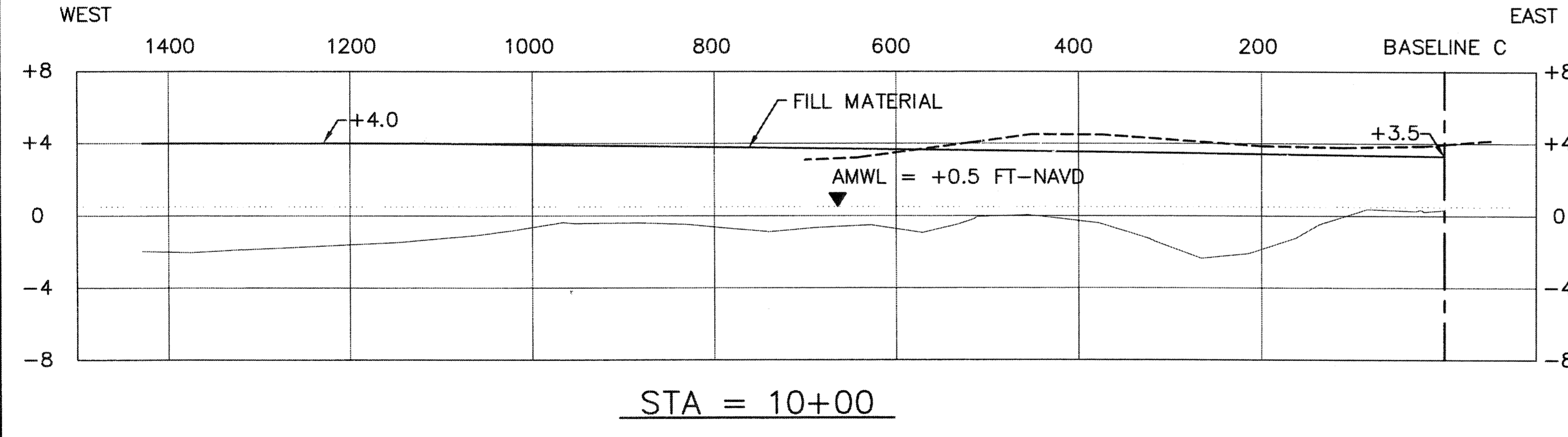
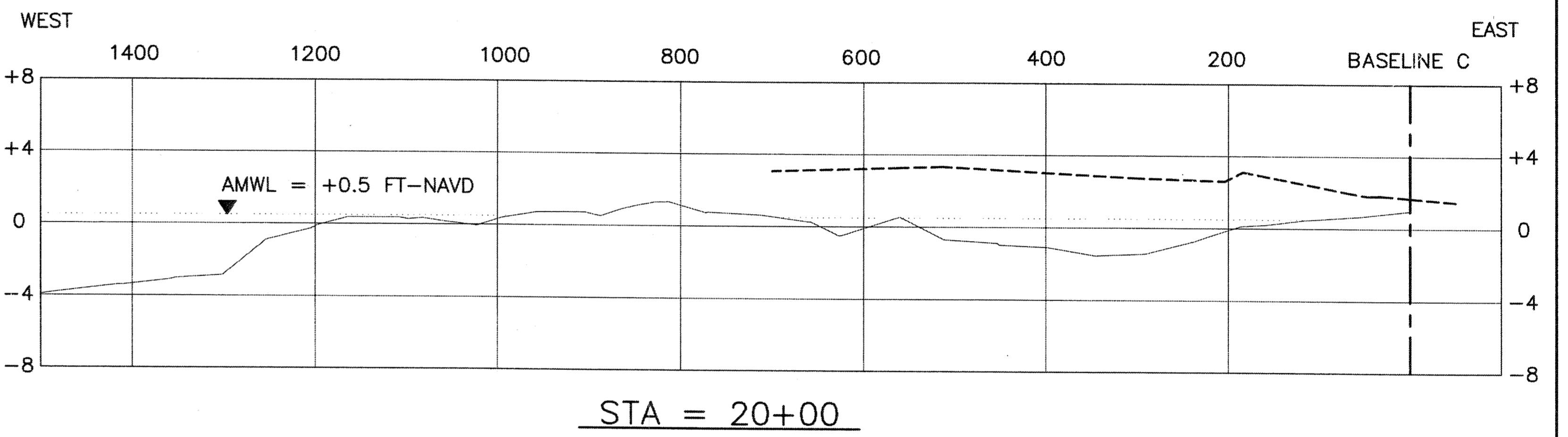
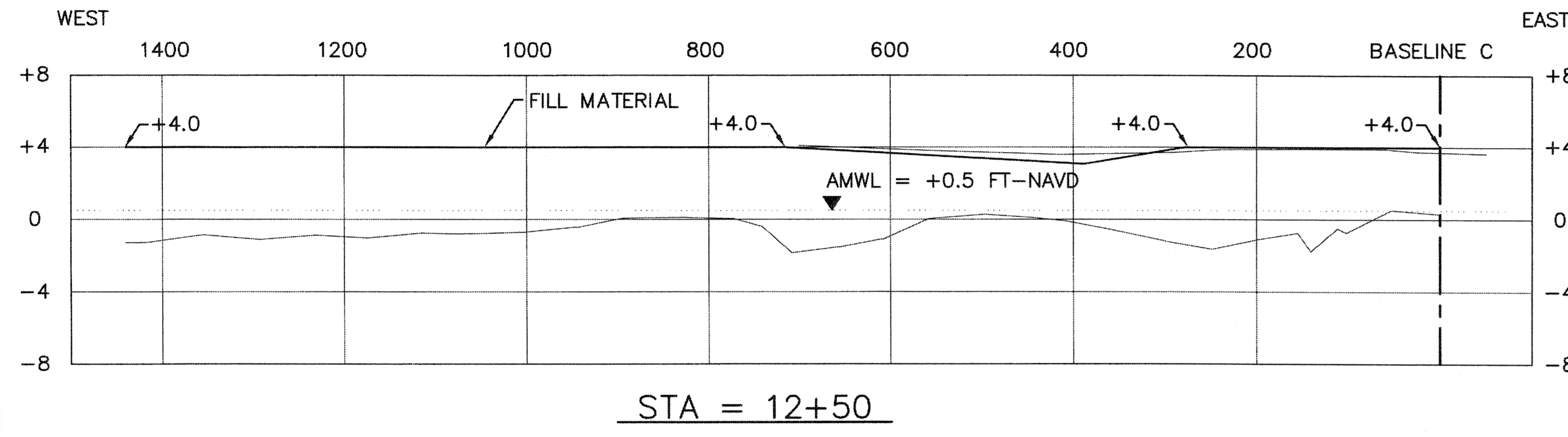
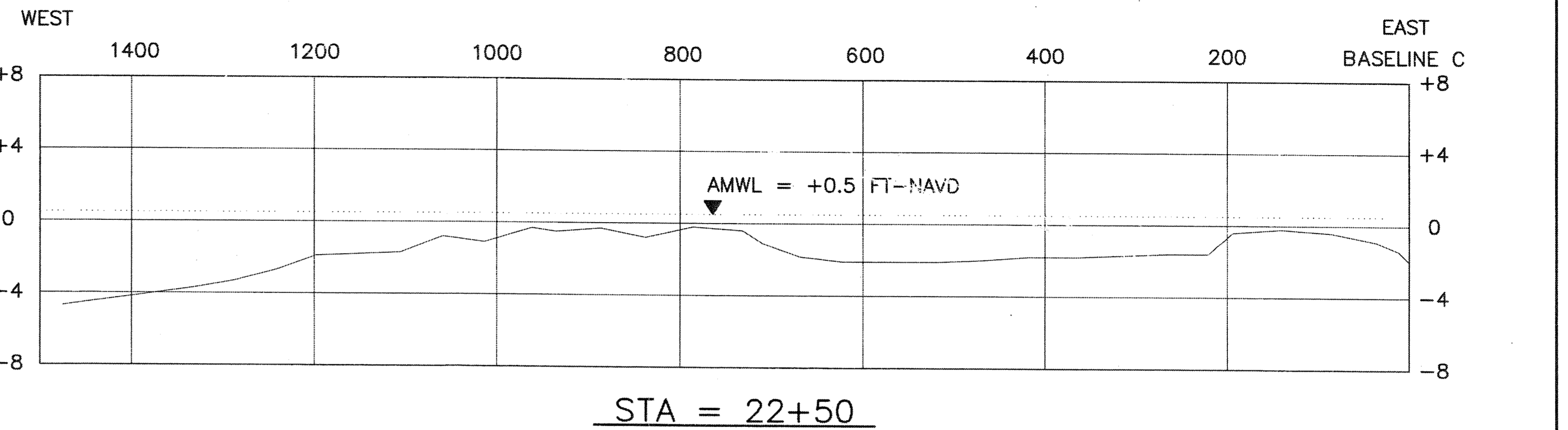
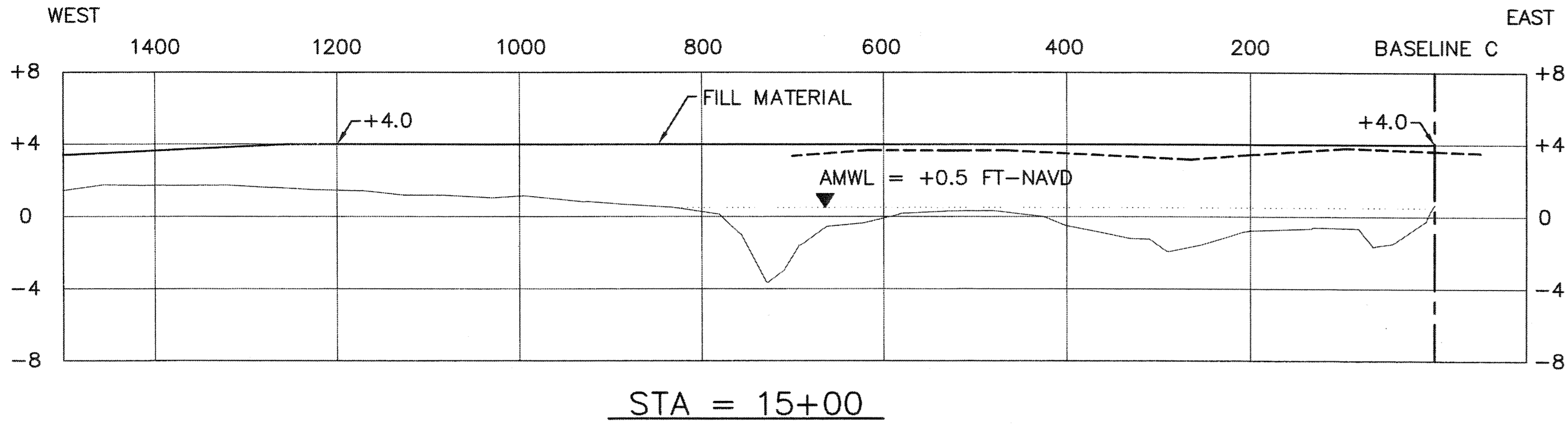
DRAWN BY: HJT/IDF  
 APPROVED BY: DBK/ALL  
 DATE: 10/7/97  
 HORIZ. 1" = 100'  
 SCALE: VERT. 1" = 5'

STATE OF LOUISIANA  
 DEPARTMENT OF NATURAL RESOURCES  
 COASTAL RESTORATION DIVISION  
 NICHOLLS STATE UNIVERSITY  
 P.O. BOX 2079  
 THIBODAUX, LOUISIANA 70310



WHISKEY ISLAND RESTORATION  
 PROJECT - PHASE 3b  
 TE-27 / PTE15bii  
 BASELINE B  
 CROSS-SECTIONS

AS-BUILT



**LEGEND**

Denotes Before Dredge Section (8/97) \_\_\_\_\_

Denotes Design Section \_\_\_\_\_

Denotes T. L. James & Co. As-built Section (5/98) - - - - -

Ref: Picciola and Associates Survey Drawings "Hydrographic and Topographic Survey, Whiskey Island Restoration Project Part1 (TE-27/PTE15bii), Terrebonne Parish, LA" Dated 8/14/97, Sheets 1-13.

DATE	REVISIONS	APPROVED
09/10/98	As-built drawings	MJR



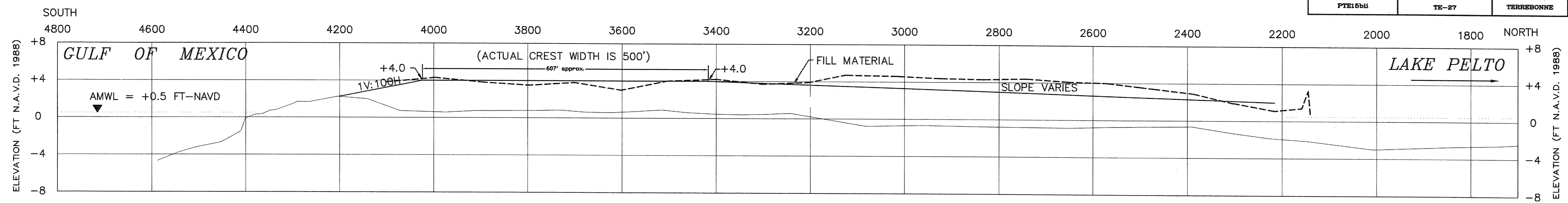
DRAWN BY: HJT/JDF  
 APPROVED BY: DBK/ALL  
 DATE: 10/7/97  
 SCALE: HORIZ. 1" = 100'  
 VERT. 1" = 5'

STATE OF LOUISIANA  
 DEPARTMENT OF NATURAL RESOURCES  
 COASTAL RESTORATION DIVISION  
 NICHOLLS STATE UNIVERSITY  
 P.O. BOX 2079  
 THIBODAUX, LOUISIANA 70310

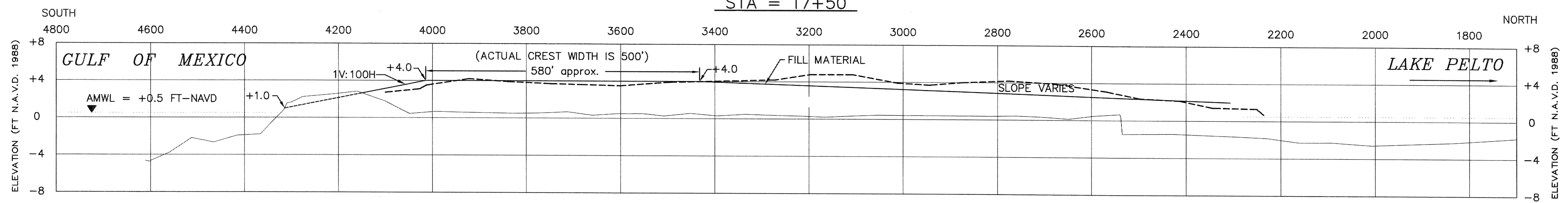


**AS-BUILT**

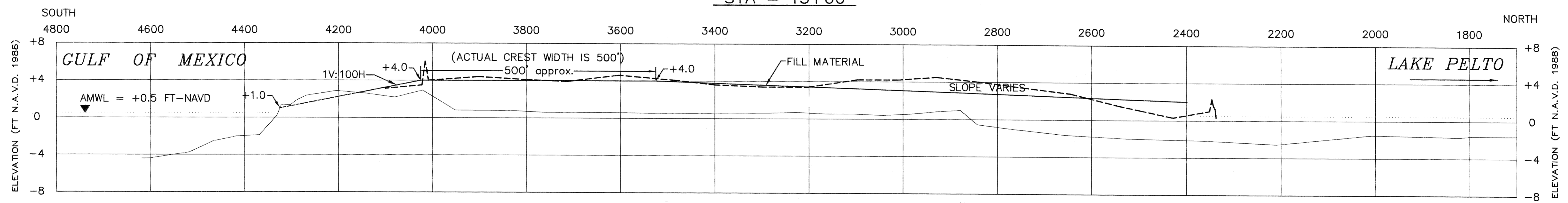
WHISKEY ISLAND RESTORATION  
 PROJECT - PHASE 3b  
 TE-27 / PTE15bii  
 BASELINE C  
 CROSS-SECTIONS



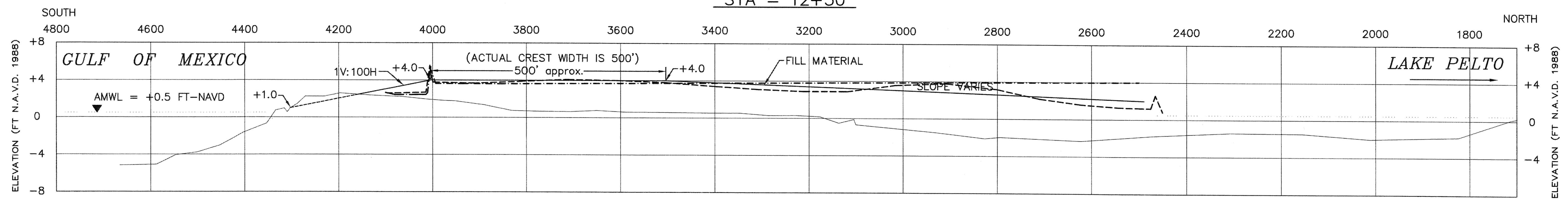
STA = 17+50



STA = 15+00



STA = 12+50



STA = 10+00

Note: Back Bay Cross-sections are not perpendicular to the centerline of the dune. (See Sheet No. 3)

Ref: Picciola and Associates Survey Drawings "Hydrographic and Topographic Survey, Whiskey Island Restoration Project Part1 (TE-27/PTE15bii), Terrebonne Parish, LA" Dated 8/14/97, Sheets 1-13.

**LEGEND**

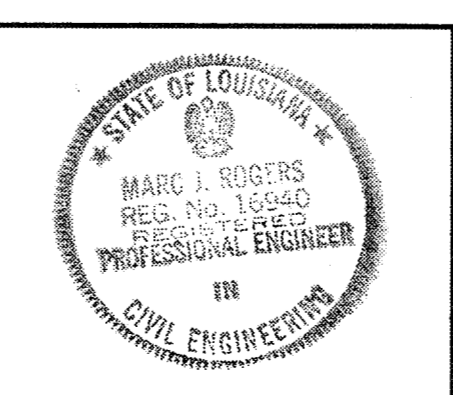
Denotes Before Dredge Section (8/97)

Denotes Design Section

Denotes T. L. James & Co. As-built Section (5/98)

Denotes T. Baker Smith & Son, Inc. Check Section (6/98)

DATE	REVISIONS	APPROVED
09/10/98	As-built drawings	MJR



DRAWN BY: HJT/JDF

APPROVED BY: DBK/ALL

DATE: 10/7/97

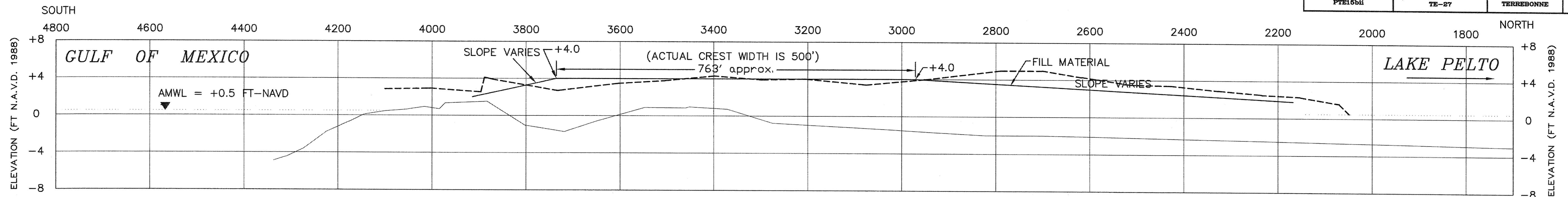
SCALE: HORIZ. 1" = 100'  
VERT. 1" = 5'

STATE OF LOUISIANA  
DEPARTMENT OF NATURAL RESOURCES  
COASTAL RESTORATION DIVISION  
NICHOLLS STATE UNIVERSITY  
P.O. BOX 2079  
THIBODAUX, LOUISIANA 70310

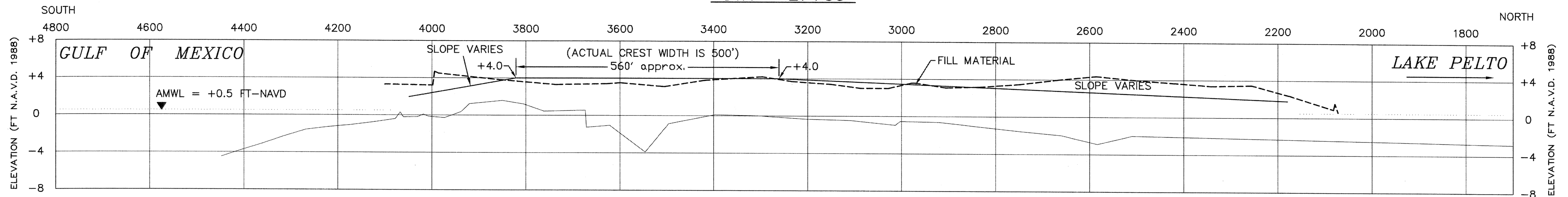


AS-BUILT

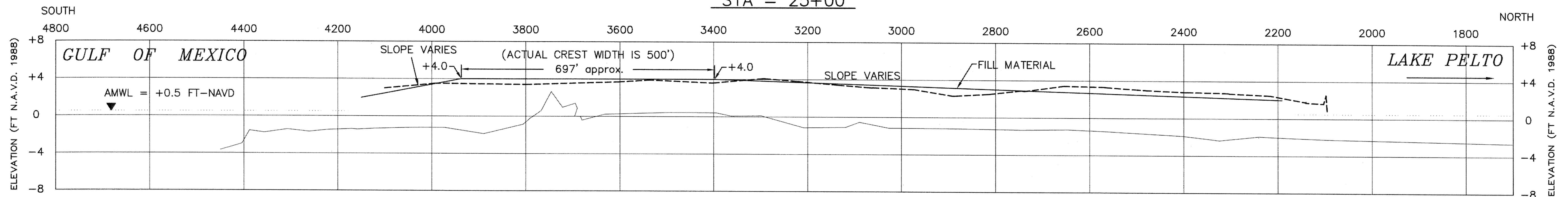
WHISKEY ISLAND RESTORATION  
PROJECT - PHASE 3b  
TE-27 / PTE15bii  
BASELINE D-BACK BAY  
CROSS-SECTIONS



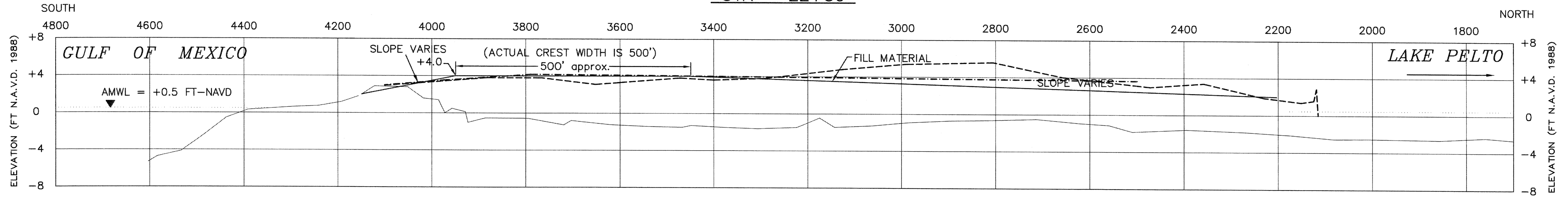
STA = 27+50



STA = 25+00



STA = 22+50



STA = 20+00

Note: Back Bay Cross-sections are not perpendicular to the centerline of the dune. (See Sheet No. 3)

Ref: Picciola and Associates Survey Drawings "Hydrographic and Topographic Survey, Whiskey Island Restoration Project Part1 (TE-27/PTE15bii), Terrebonne Parish, LA" Dated 8/14/97, Sheets 1-13.

**LEGEND**

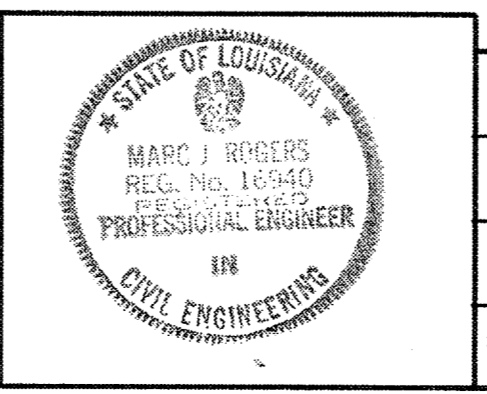
Denotes Before Dredge Section (8/97) \_\_\_\_\_

Denotes Design Section \_\_\_\_\_

Denotes T. L. James & Co. As-built Section (5/98) - - - - -

Denotes T. Baker Smith & Son, Inc. Check Section (6/98) - - - - -

DATE	REVISIONS	APPROVED
09/10/98	As-built drawings	MJR



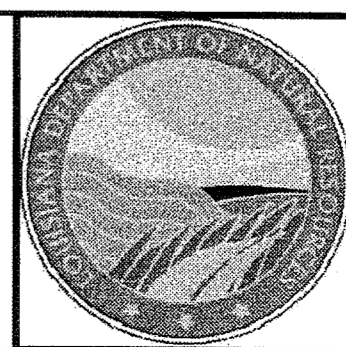
DRAWN BY: HJT/JDF

APPROVED BY: DBK/ALL

DATE: 10/7/97

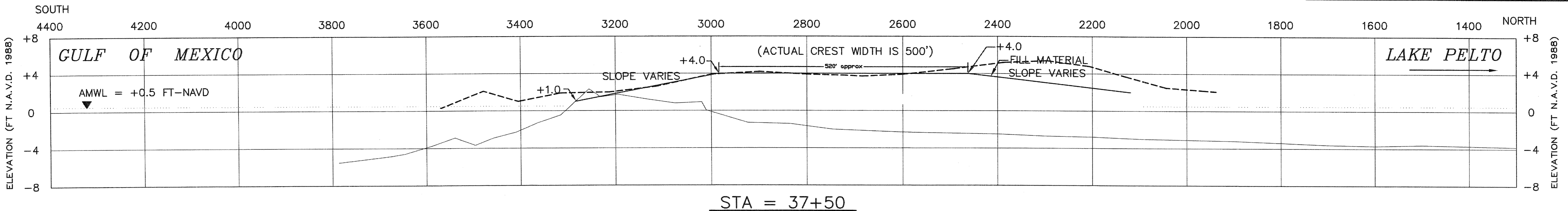
SCALE: HORIZ. 1" = 100'  
VERT. 1" = 5'

STATE OF LOUISIANA  
DEPARTMENT OF NATURAL RESOURCES  
COASTAL RESTORATION DIVISION  
NICHOLLS STATE UNIVERSITY  
P.O. BOX 2079  
THIBODAUX, LOUISIANA 70310

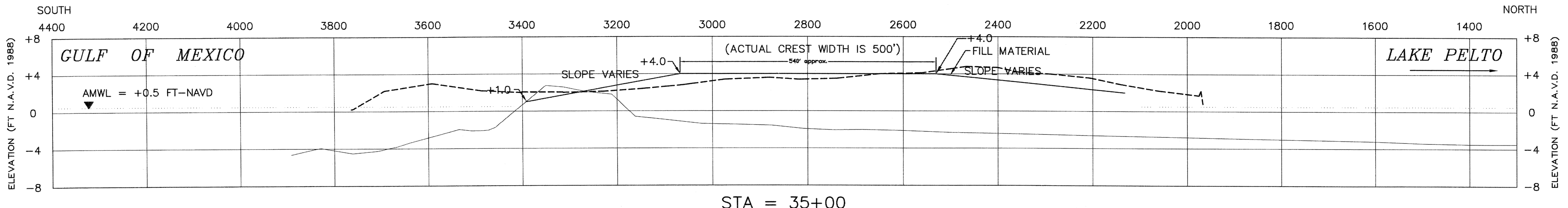


AS-BUILT

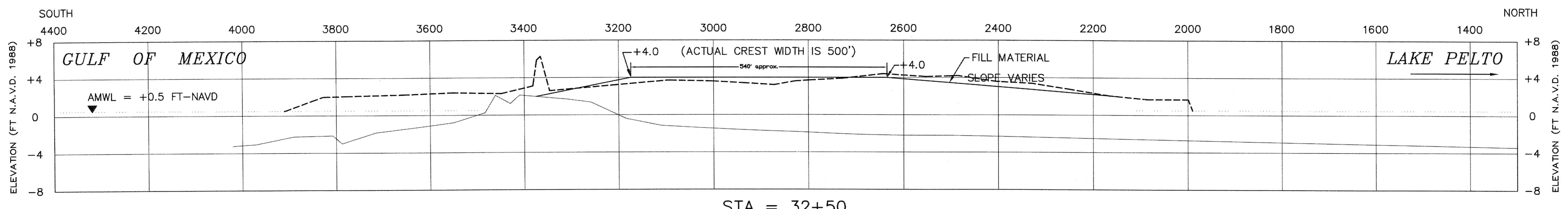
WHISKEY ISLAND RESTORATION  
PROJECT - PHASE 3b  
TE-27 / PTE15bii  
BASELINE D-BACK BAY  
CROSS-SECTIONS



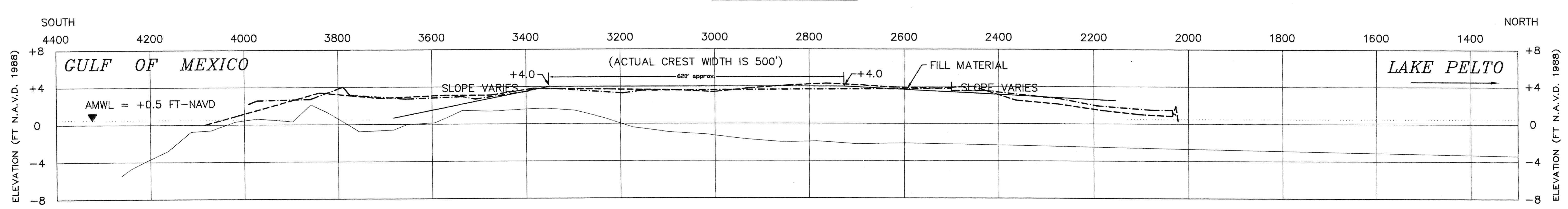
STA = 37+50



STA = 35+00



STA = 32+50



STA = 30+00

Note: Back Bay Cross-sections are not perpendicular to the centerline of the dune. (See Sheet No. 3)

Ref: Picciola and Associates Survey Drawings "Hydrographic and Topographic Survey, Whiskey Island Restoration Project Part1 (TE-27/PTE15bii), Terrebonne Parish, LA" Dated 8/14/97, Sheets 1-13.

**LEGEND**

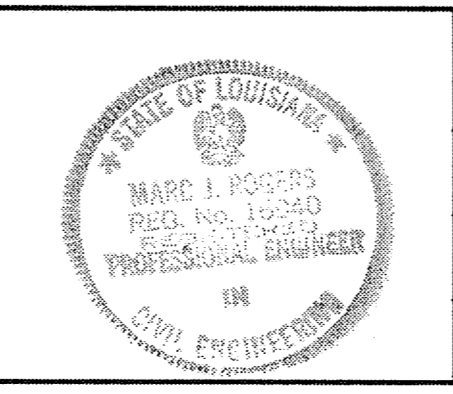
Denotes Before Dredge Section (8/97) \_\_\_\_\_

Denotes Design Section \_\_\_\_\_

Denotes T. L. James & Co. As-built Section (5/98) - - - - -

Denotes T. Baker Smith & Son, Inc. Check Section (6/98) - - - - -

DATE	REVISIONS	APPROVED
09/10/98	As-built drawings	MJR



DRAWN BY: HJT/JDF

APPROVED BY: DBK/ALL

DATE: 10/7/97

HORIZ. 1" = 100'

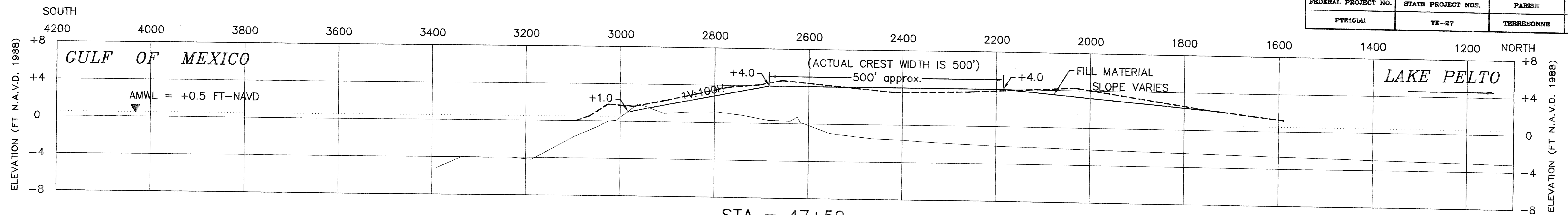
SCALE: VERT. 1" = 5'

STATE OF LOUISIANA  
DEPARTMENT OF NATURAL RESOURCES  
COASTAL RESTORATION DIVISION  
NICHOLLS STATE UNIVERSITY  
P.O. BOX 2079  
THIBODAUX, LOUISIANA 70310

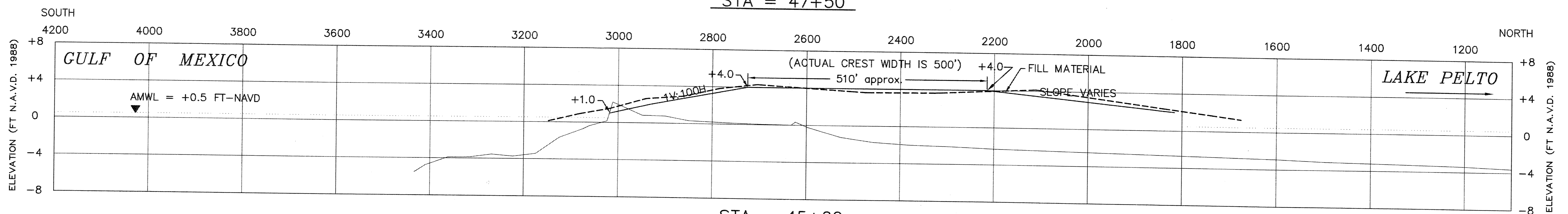


AS-BUILT

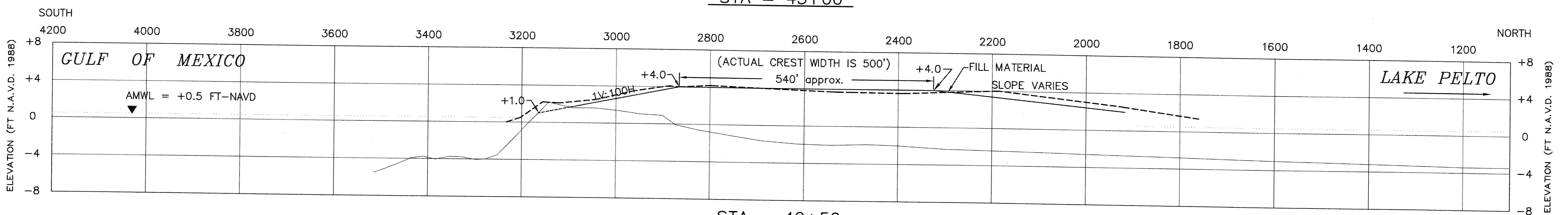
WHISKEY ISLAND RESTORATION  
PROJECT - PHASE 3b  
TE-27 / PTE15bii  
BASELINE D-BACK BAY  
CROSS-SECTIONS



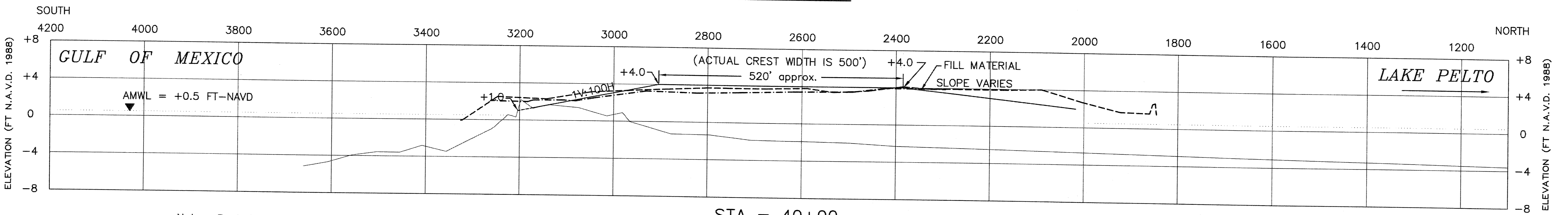
STA = 47+50



STA = 45+00



STA = 42+50



STA = 40+00

Note: Back Bay Cross-sections are not perpendicular to the centerline of the dune. (See Sheet No. 3)

Ref: Picciola and Associates Survey Drawings "Hydrographic and Topographic Survey, Whiskey Island Restoration Project Part1 (TE-27/PTE15bii), Terrebonne Parish, LA" Dated 8/14/97, Sheets 1-13.

**LEGEND**

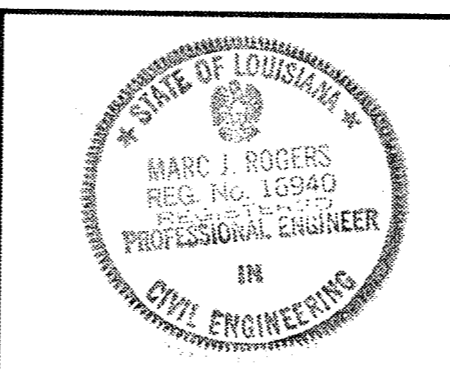
Denotes Before Dredge Section (8/97) \_\_\_\_\_

Denotes Design Section \_\_\_\_\_

Denotes T. L. James & Co. As-built Section (5/98) - - - - -

Denotes T. Baker Smith & Son, Inc. Check Section (6/98) - - - - -

DATE	REVISIONS	APPROVED
09/10/98	As-built drawings	MJR



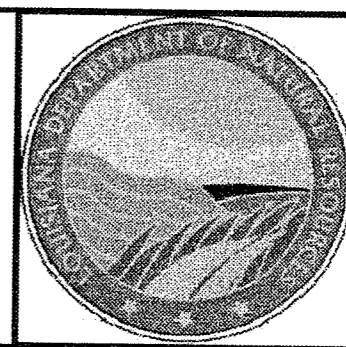
DRAWN BY: HJT/JDF

APPROVED BY: DBK/ALL

DATE: 10/7/97

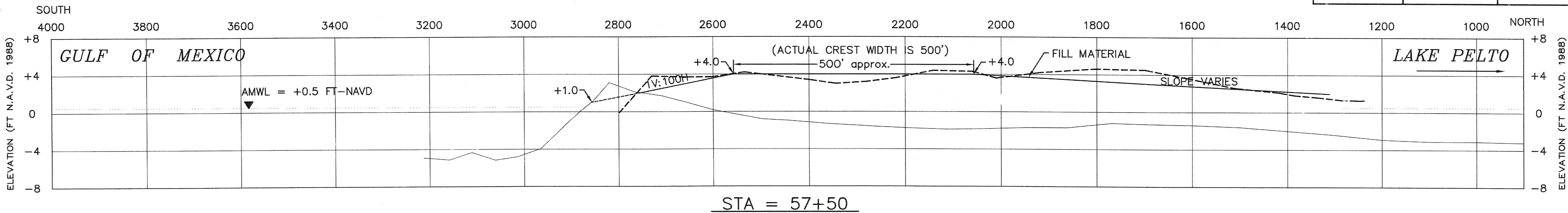
SCALE: HORIZ. 1" = 100'  
VERT. 1" = 5'

STATE OF LOUISIANA  
DEPARTMENT OF NATURAL RESOURCES  
COASTAL RESTORATION DIVISION  
NICHOLLS STATE UNIVERSITY  
P.O. BOX 2079  
THIBODAUX, LOUISIANA 70310

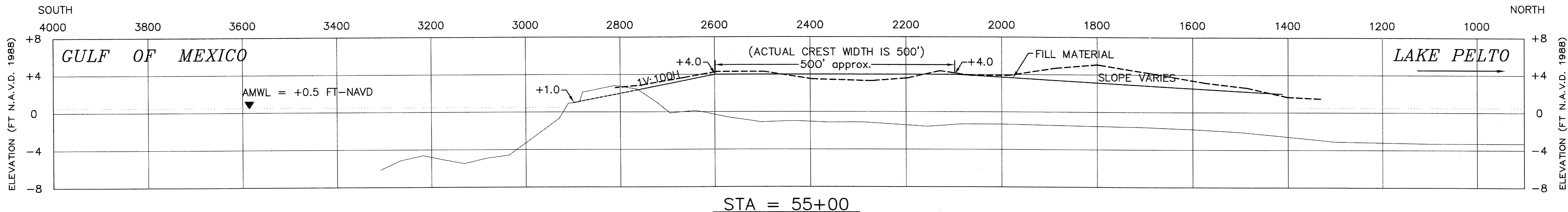


AS-BUILT

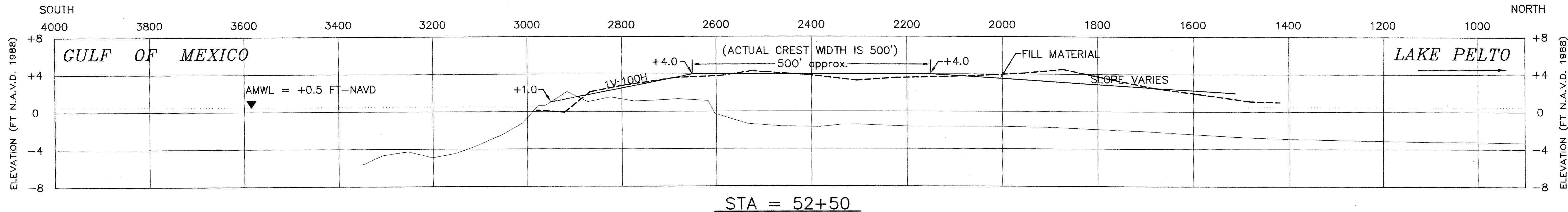
WHISKEY ISLAND RESTORATION  
PROJECT - PHASE 3b  
TE-27 / PTE15bii  
BASELINE D-BACK BAY  
CROSS-SECTIONS



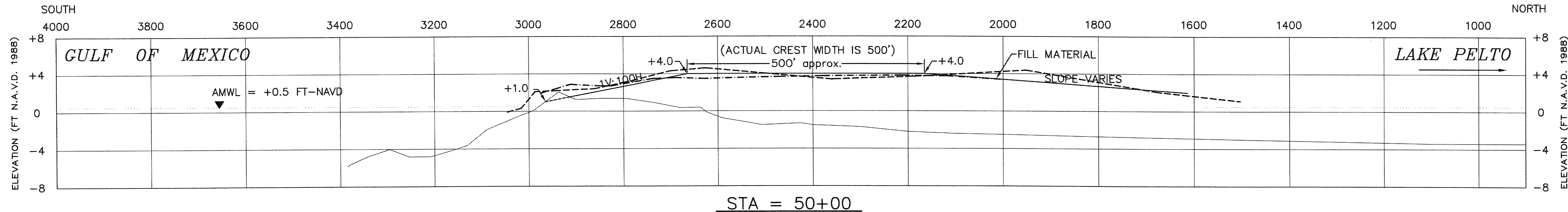
STA = 57+50



STA = 55+00



STA = 52+50



STA = 50+00

Note: Back Bay Cross-sections are not perpendicular to the centerline of the dune. (See Sheet No. 3)

Ref: Picciola and Associates Survey Drawings "Hydrographic and Topographic Survey, Whiskey Island Restoration Project Part1 (TE-27/PTE15bii), Terrebonne Parish, LA" Dated 8/14/97, Sheets 1-13.

**LEGEND**

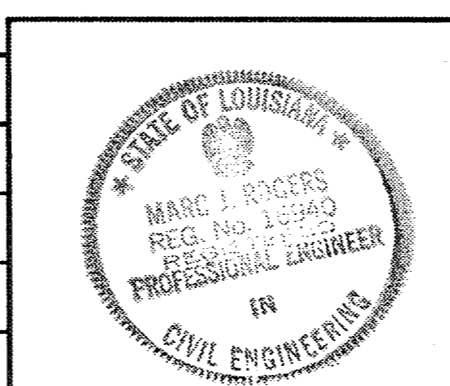
Denotes Before Dredge Section (8/97)

Denotes Design Section

Denotes T. L. James & Co. As-built Section (5/98)

Denotes T. Baker Smith & Son, Inc. Check Section (6/98)

DATE	REVISIONS	APPROVED
09/10/98	As-built drawings	MJR



DRAWN BY: HJT/JDF

APPROVED BY: DBK/ALL

DATE: 10/7/97

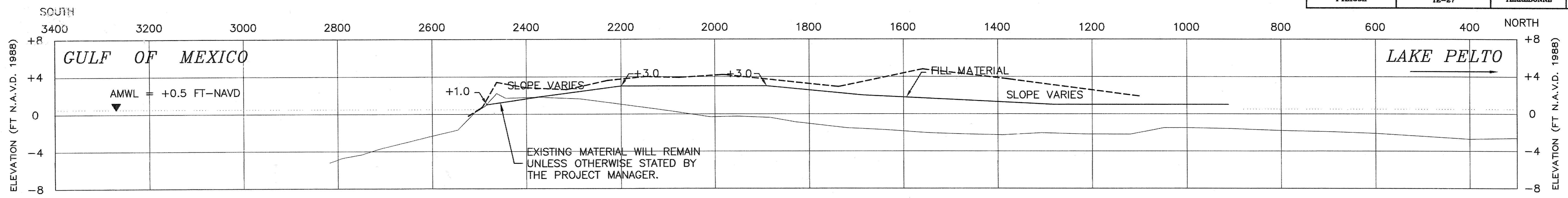
SCALE: HORIZ. 1" = 100'  
VERT. 1" = 5'

STATE OF LOUISIANA  
DEPARTMENT OF NATURAL RESOURCES  
COASTAL RESTORATION DIVISION  
NICHOLLS STATE UNIVERSITY  
P.O. BOX 2079  
THIBODAUX, LOUISIANA 70310

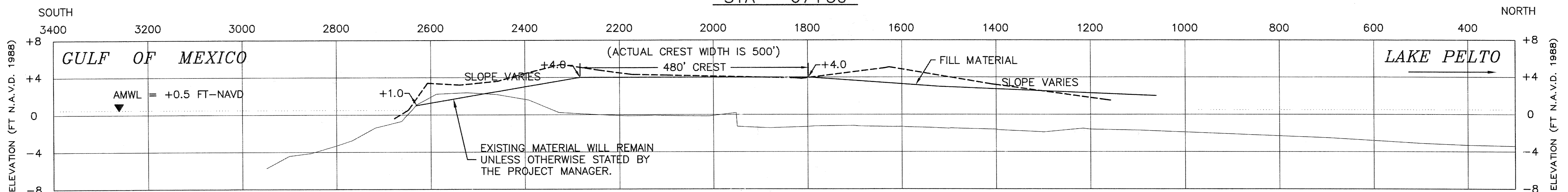


AS-BUILT

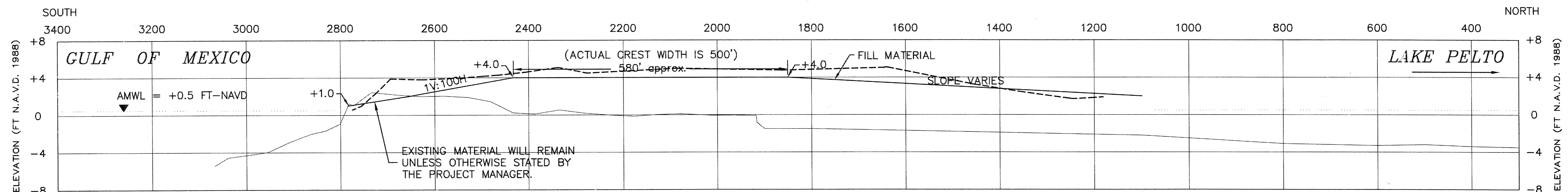
WHISKEY ISLAND RESTORATION  
PROJECT - PHASE 3b  
TE-27 / PTE15bii  
BASELINE D-BACK BAY  
CROSS-SECTIONS



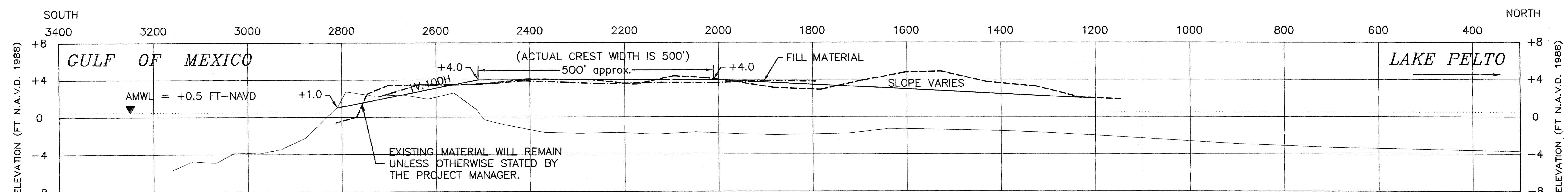
STA = 67+50



STA = 65+00



STA = 62+50



STA = 60+00

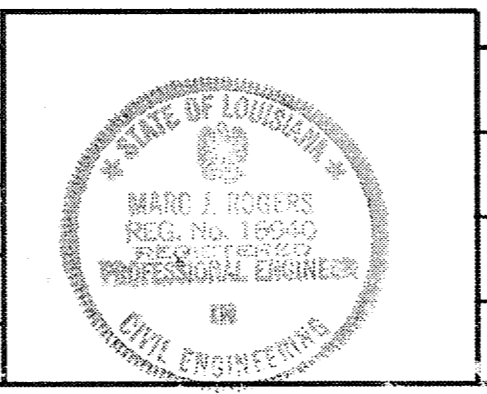
Note: Back Bay Cross-sections are not perpendicular to the centerline of the dune. (See Sheet No. 3)

Ref: Picciola and Associates Survey Drawings "Hydrographic and Topographic Survey, Whiskey Island Restoration Project Part1 (TE-27/PTE15bii), Terrebonne Parish, LA" Dated 8/14/97, Sheets 1-13.

**LEGEND**

- Denotes Before Dredge Section (8/97)
- Denotes Design Section
- Denotes T. L. James & Co. As-built Section (5/98)
- Denotes T. Baker Smith & Son, Inc. Check Section (6/98)

DATE	REVISIONS	APPROVED
09/10/98	As-built drawings	MJR



DRAWN BY: HJT/JDF  
 APPROVED BY: DBK/ALL  
 DATE: 10/7/97  
 HCRZ: 1" = 100'  
 SCALE: VERT. 1" = 5'

STATE OF LOUISIANA  
 DEPARTMENT OF NATURAL RESOURCES  
 COASTAL RESTORATION DIVISION  
 NICHOLLS STATE UNIVERSITY  
 P.O. BOX 2079  
 THIBODAUX, LOUISIANA 70310



AS-BUILT  
 WHISKEY ISLAND RESTORATION  
 PROJECT - PHASE 3b  
 TE-27 / PTE15bii  
 BASELINE D-BACK BAY  
 CROSS-SECTIONS